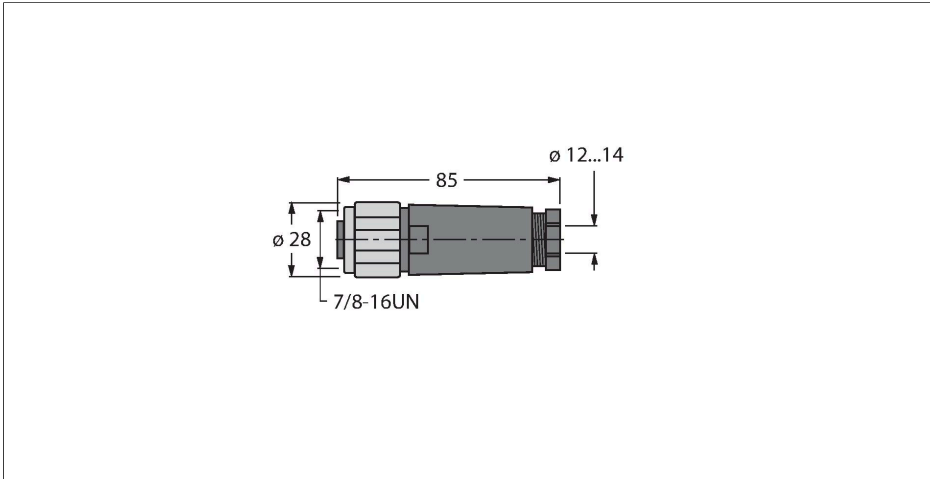


BKV4140-0/16

Accessories for Fieldbus Systems

7/8" Female, Straight

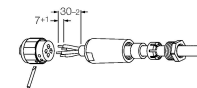
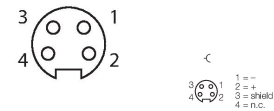


Features



- For use in PROFIBUS-PA and FOUNDATION fieldbus applications
- Screw-clamp terminal
- Stainless steel coupling nut
- 4-pin
- PG16 screw-in thread
- Cable feedthrough 12.0...14.0 mm

Contact assignment



Headline Wiring Diagram

PROFIBUS-PA Connector FOUNDATION fieldbus connector



Technical data

Type	BKV4140-0/16
ID	6914544
Connector A	Female, 7/8"-16 UN, Straight
Number of Pins	4
Contacts	Metal, CuZn, Gold-plated
Contact carriers	Plastic, TPU, Black
Connector body	Plastic, PA, Black
Coupling nut/screw	Stainless Steel, 1.4404, Passivated
Seal	Plastic, NBR
Screw-in thread seal	plastic, NBR
Screw-in thread	PG16
External diameter of the cable	12...14 mm
Core cross-section/Clamping ability	0.14...1 mm ²
Connection mode	Screw/clamp connection
Mechanical lifespan	> 50 Mating cycles
Pollution degree	3
Protection class	IP67, Only in screwed condition
Network protocol	PROFIBUS-PA
Electrical properties at +20 °C	
Rated voltage	250 V
Current	9 A
Insulation resistance	≥ 10 ⁸ Ω
forward resistance	≤ 5 mΩ
Mechanical and chemical properties	
Ambient temperature range (stationary)	-40...+90 °C

Technical data

Ambient temperature range (In motion) -40...+90 °C

Note

- We reserve the right to make technical modifications without prior notice.