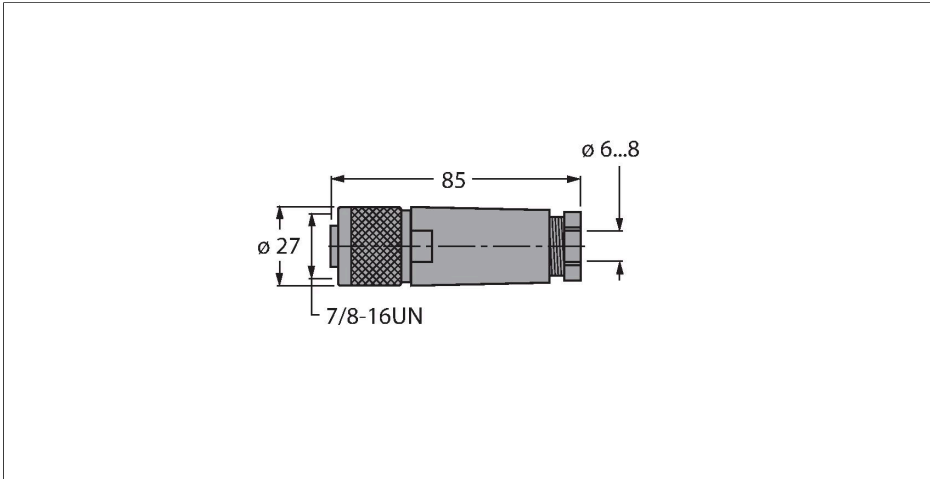


BK4140-0/9

Accessories for Fieldbus Systems

7/8" Female, Straight



Technical data

Type	BK4140-0/9
ID	6914551
Connector A	Female, 7/8"-16 UN, Straight
Number of Pins	4
Contacts	Metal, CuZn, Gold-plated
Contact carriers	Plastic, TPU, Black
Connector body	Plastic, PA, Black
Coupling nut/screw	Aluminum, Al, Anodized
Seal	Plastic, NBR
Screw-in thread seal	plastic, NBR
Screw-in thread	PG9
External diameter of the cable	6...8 mm
Core cross-section/Clamping ability	0.14...1 mm ²
Connection mode	Screw/clamp connection
Mechanical lifespan	> 100 Mating cycles
Pollution degree	3
Protection class	IP67
Network protocol	FOUNDATION fieldbus PROFIBUS-PA
Electrical properties at +20 °C	
Rated voltage	250 V
Current	9 A
Mechanical and chemical properties	
Ambient temperature range (stationary)	-40...+90 °C
Ambient temperature range (In motion)	-40...+90 °C

Features



- For use in PROFIBUS-PA and FOUNDATION fieldbus applications
- Screw-clamp terminal
- Anodized aluminum coupling nut
- 4-pin
- PG9 screw-in thread
- Cable feedthrough 6.0...8.0 mm

Contact assignment



Headline Wiring Diagram

PROFIBUS-PA Connection FOUNDATION™ fieldbus connection



Heading wiring diagram 3

Po-w-er Supply



Technical data

Note

- We reserve the right to make technical modifications without prior notice.
