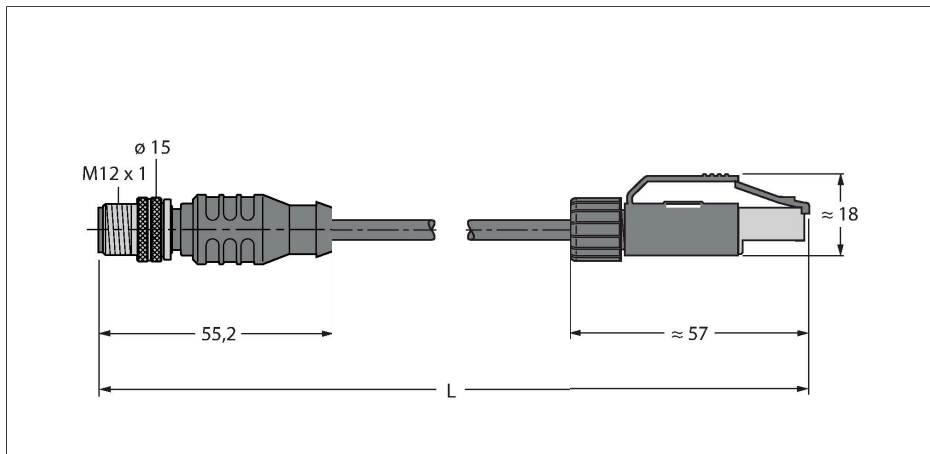


RSSD-RJ45-441-2M/S2174

Industrial Ethernet Cable – Extension Cable

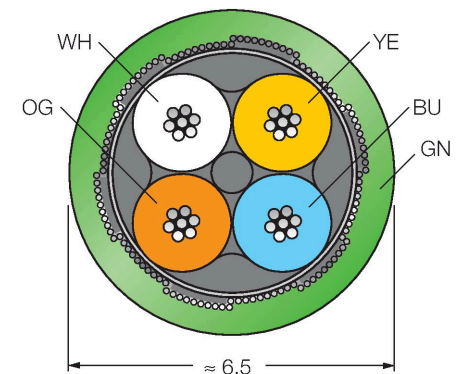


Features

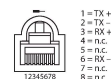
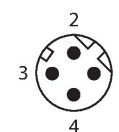


- Ethernet cable: 4-pin, AWG 22 / 7
- acc. to ISO/IEC 11801 CAT 5E
- Jacket material: PUR, color: green
- Shield: Aluminum foil, tinned copper braid
- Jacket diameter: 6.5 mm
- Suitable for drag chain use
- UL approval
- UV-resistant
- Cable length: 2.0 m

Cable Cross-Section



Contact assignment



Heading wiring diagram 3

Pin Assignment Right

Technical data

Type	RSSD-RJ45-441-2M/S2174
ID	6915781
Connector A	Male, M12 × 1, Straight, D-coded
Number of Pins	4
Contacts	Metal, CuZn, Gold-plated
Contact carriers	Plastic, TPU, Black
Connector body	Plastic, TPU, Black
Coupling nut/screw	Brass, CuZn, Nickel-plated
Tightening torque (range)	0.8 ... 1 Nm (observe max. torque of mating connector!)
Mechanical lifespan	> 100 Mating cycles
Pollution degree	3
Protection class	IP67, Only in screwed condition
Connector B	Male, RJ45, Straight
Number of pins	4
Contacts	Metal, CuSn, Gold-plated
Contact carriers	Plastic, PA 6.6 GF, Black
Connector body	Plastic, TPU, Black
Protection class	IP20
Cable	
Network protocol	Ethernet, 441/S2174
Cable diameter	Ø 6.5 mm
Cable length	2 m
Cable jacket	PUR, Green
Shielding	Aluminum foil, tinned copper wire
Core insulation	PE
Core cross-section	4 x 0.34 mm ²

Technical data

Arrangement of strands	7 x 0.25 mm
Core colors	WH, YE, BU, OG
Electrical properties at +20 °C	
Rated voltage	50 V
Current	1 A
DC resistance (loop)	53 Ω/km
Nom. impedance	100 Ω (±15)
Nom. capacitance	52 pF/m
Mechanical and chemical properties	
Max. tensile strength (static)	≤ 150 N/mm ²
Bending radius (flexible use)	≥ 7 x Ø
Bending cycles	≥ 3 million
Ambient temperature range (stationary)	-40...+70 °C
Ambient temperature range (In motion)	-20...+60 °C
Other Features	
Qualified for drag chain use	yes
Halogen-free	yes
UV resistance	yes
Oil-resistant	according to IEC 60811-2-1
Flame-retardant	according to IEC 60332-1
Approvals	UL