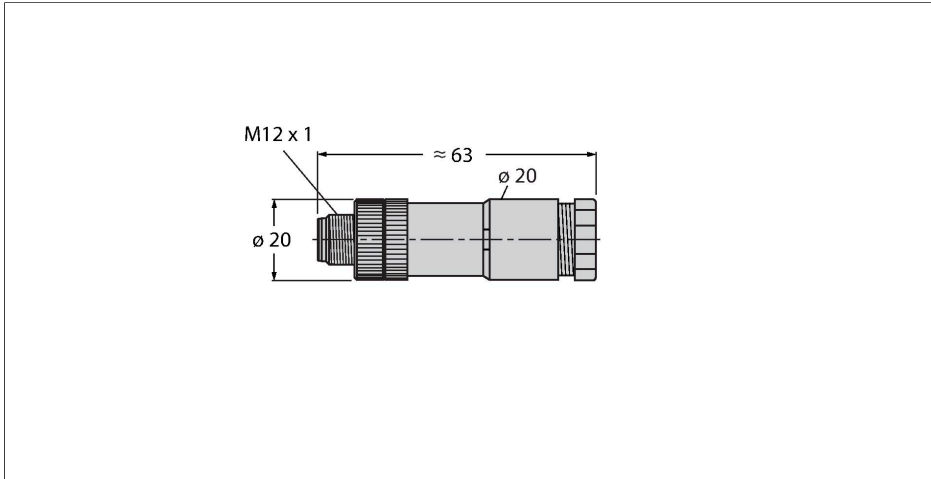


DBS8141-0

Field-Wireable Connector

Male Connector M12 × 1, Straight

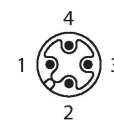


Features



- Duo cable-connector
- Plastic coupling nut
- Protection class IP67
- Screw-clamp terminal
- A-coding
- 4-pin
- Cable feedthrough: 2 cables Ø 2.1-3.0 mm or Ø 4.0-5.0 mm

Contact assignment



Technical data

Type	DBS8141-0
ID	6930073
Connector A	Male, M12 × 1, Straight, A-coded
Number of Pins	4
Contacts	CuZn, Optalloy Coating
Contact carriers	Plastic, PA, Black
Connector body	Plastic, PA, Black
Coupling nut/screw	Plastic, PA, Black
Core cross-section/Clamping ability	0.14...0.75 mm ²
Connection mode	Screw/clamp connection
Mechanical lifespan	> 50 Mating cycles
Protection class	IP67, (screwed together)
Electrical properties at +20 °C	
Rated voltage	250 V
Current	4 A
Insulation resistance	≥ 10 ⁸ Ω
forward resistance	≤ 8 mΩ
Mechanical and chemical properties	
Ambient temperature range (stationary)	-25...+85 °C