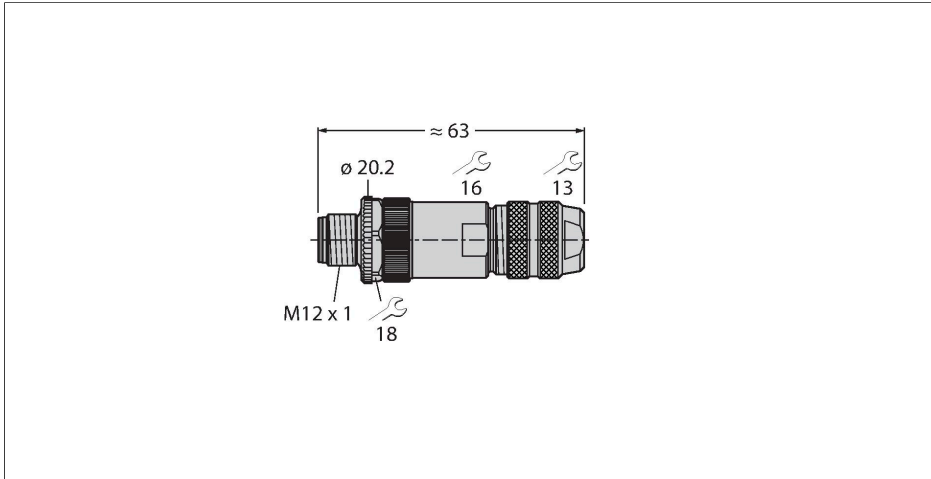


# CMBS8151-0

## Field-Wireable Connector

### Male Connector M12 × 1, Straight



#### Technical data

Type	CMBS8151-0
ID	6930161
Connector A	Male, M12 × 1, Straight, A-coded
Number of pins	5
Contacts	CuZn, Gold-plated
Contact carriers	Plastic, PA, Black
Connector body	Die-cast Zinc, GD-Zn, nickel-plated, Black
Coupling nut/screw	Die-cast Zinc, GD-Zn, Nickel-plated
External diameter of the cable	6...8 mm
Core cross-section/Clamping ability	0.14...0.75 mm <sup>2</sup>
Connection mode	Screw/clamp connection
Mechanical lifespan	> 100 Mating cycles
Protection class	IP67, (screwed together)
<b>Electrical properties at +20 °C</b>	
Rated voltage	60 V
Current	4 A
Insulation resistance	≥ 10 <sup>8</sup> Ω
forward resistance	≤ 3 mΩ
<b>Mechanical and chemical properties</b>	
Ambient temperature (fixed)	-40...+85 °C
Approvals	cULus recognized

#### Features



- A-coding
- Metal housing
- Shieldable
- Shield ring
- Die-cast threaded ring
- Screw-clamp terminal
- A-coding
- 5-pin
- Cable feedthrough 6...8 mm
- Core cross-section 0.14...0.75 mm<sup>2</sup>

#### Contact assignment

