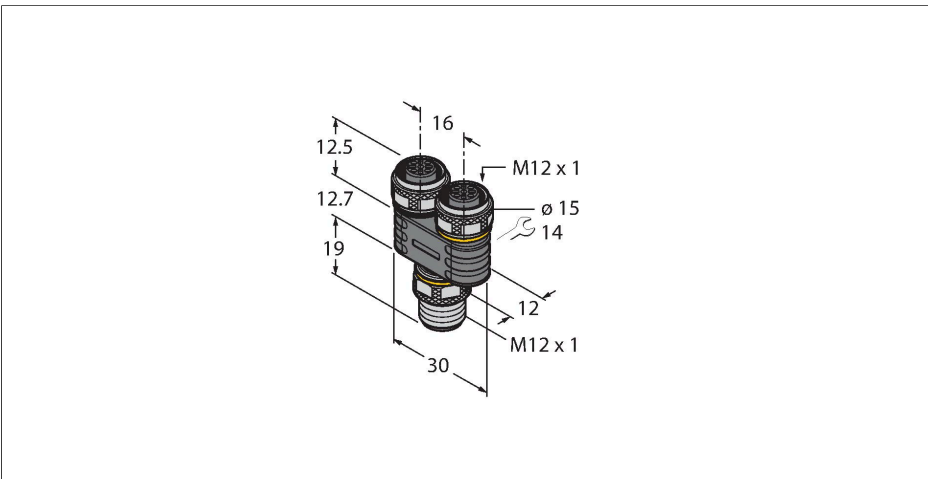


YB2-FSM5-2FKM5.4/S1063

2-Way Splitter – Y-Splitter without Cable, M12 × 1 Male Connector — 2 × M12 × 1 Female Connectors

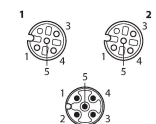


Features



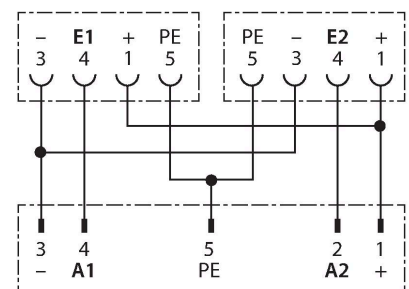
- M12 male connector, 5-pin
- M12 female connector, 4-pin
- RoHS-compliant
- Protection class IP67

Contact assignment



Technical data

Type	YB2-FSM5-2FKM5.4/S1063
ID	6930551
Distributed I/O	Y-splitter, 2 -port
Connector A	Male, M12 × 1
Number of Pins	5/4
Connector body	Plastic, TPU, Gray
Tightening torque (range)	0.8 ... 1 Nm
Pollution degree	3
Connector B	2 x Female, M12 × 1
Contacts	Brass, CuZn, Gold-plated
Contact carriers	Plastic, TPU, Black
Connector body	Plastic, TPU, Black
Coupling nut/retaining screw	Brass, Nickel-plated
Mechanical life	> 100 Mating cycles
Protection class	IP67, Only when screwed together
Electrical properties at +20 °C	
Rated voltage	60 V
Current	4 A
Insulation resistance	≥ 10 ⁸ Ω
forward resistance	≤ 5 mΩ
Mechanical and chemical properties	
Ambient temperature range (In motion)	-30...+80 °C



Accessories

TORQUE-WRENCH-SET-AS	6936170
Torque wrench set; handles with adjustable torque 0.4-1.0 Nm, torque wrench for M8 (SW9), fork wrench for M12 (SW 14)	