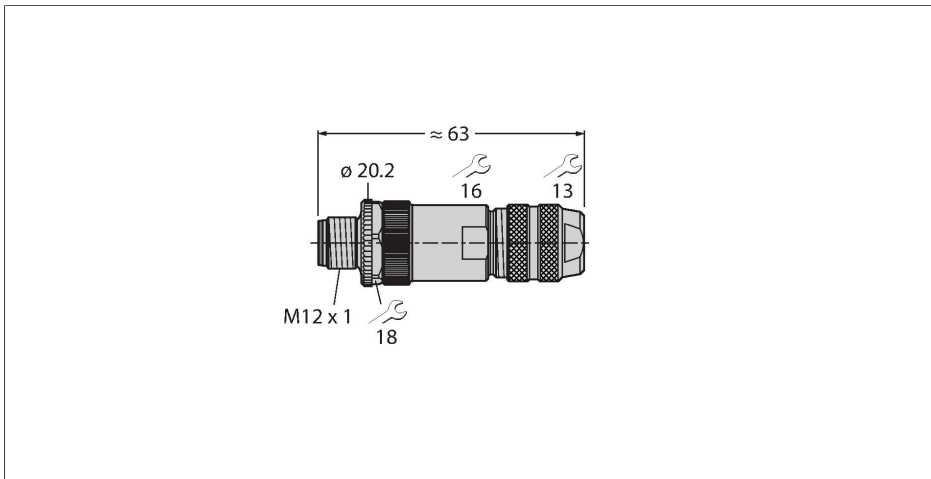


CMBS8181-0

Field-Wireable Connector

Male Connector M12 × 1, Straight

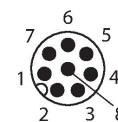


Features



- A-coding
- Metal housing
- Shieldable
- Shield ring
- Die-cast threaded ring
- Screw-clamp terminal
- 8-pin
- Cable feedthrough 6...8 mm
- Core cross-section 0.14...0.50 mm²

Contact assignment



Technical data

Type	CMBS8181-0
ID	6930792
Connector A	Male, M12 × 1, Straight, A-coded
Number of Pins	8
Contacts	CuZn, Gold-plated
Contact carriers	Plastic, PA, Black
Connector body	Die-cast Zinc, GD-Zn, nickel-plated, Black
Coupling nut/screw	Die-cast Zinc, GD-Zn, Nickel-plated
External diameter of the cable	6...8 mm
Core cross-section/Clamping ability	0.14...0.5 mm ²
Connection mode	Screw/clamp connection
Mechanical lifespan	> 100 Mating cycles
Protection class	IP67, (screwed together)
Network protocol	Ethernet
Electrical properties at +20 °C	
Rated voltage	60 V
Current	2 A
Insulation resistance	≥ 10 ⁸ Ω
forward resistance	≤ 3 mΩ
Mechanical and chemical properties	
Ambient temperature range (stationary)	-40...+85 °C