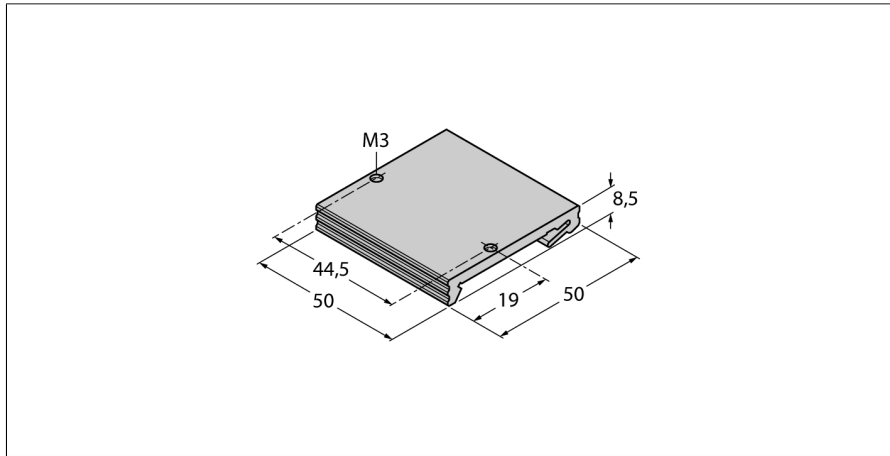


Accessories for Fieldbus Systems

Mounting Adapter for Fxx20 Modules of the S Design

FDN20-BKT-DIN



- DIN rail bracket fits small Fxx20 I/O stations
- Mounts onto standard 35 mm DIN rail
- Kit includes bracket and 2 mounting screws
- Protection class IP20

Type	FDN20-BKT-DIN
ID	6931105
Dimensions (W x L x H)	50 x 50 x 8.5 mm
Housing material	Aluminium
Protection class	IP20
Included in delivery	bracket and 2 mounting screws