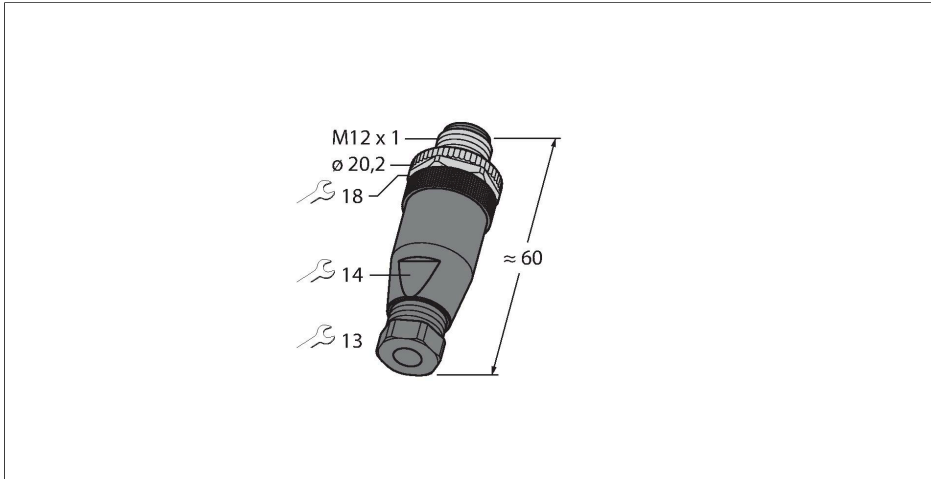


BMS8141-0

Field-Wireable Connector

Male Connector M12 × 1, Straight



Technical data

Type	BMS8141-0
ID	6933589
Connector A	Male, M12 × 1, Straight, A-coded
Number of Pins	4
Contacts	CuZn, Optalloy Coating
Contact carriers	Plastic, PA, Black
Connector body	Plastic, PA, Black
Coupling nut/screw	Die-cast Zinc, GD-Zn, Nickel-plated
External diameter of the cable	2.5...3.5 mm
Core cross-section/Clamping ability	0.25...0.75 mm ²
Connection mode	Screw/clamp connection
Mechanical lifespan	> 50 Mating cycles
Protection class	IP67, (screwed together)
Electrical properties at +20 °C	
Rated voltage	250 V
Current	4 A
Insulation resistance	≥ 10 ⁸ Ω
forward resistance	≤ 3 mΩ
Mechanical and chemical properties	
Ambient temperature range (stationary)	-40...+85 °C

Features



- A-coding
- Metal coupling nut
- UL approval
- Screw-clamp terminal
- 4-pin

Contact assignment

