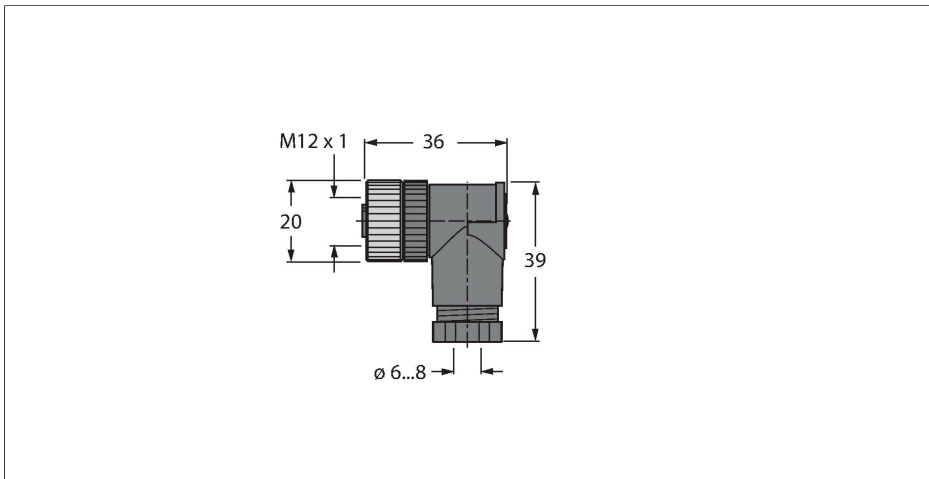


B8281-0

Field-Wireable Connector

Female Connector M12 × 1, Angled

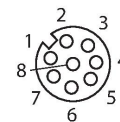


Features



- A-coding
- Metal coupling nut
- Screw-clamp terminal
- 8-pin
- PG9 screw-in thread
- Cable feedthrough 6.0...8.0 mm

Contact assignment



Technical data

Type	B8281-0
ID	6934339
Connector A	Female, M12 × 1, Angled, A-coded
Number of Pins	8
Contacts	CuZn, Nickel-plated
Contact carriers	Plastic, PA, Black
Connector body	Plastic, PA, Black
Coupling nut/screw	Die-cast Zinc, GD-Zn, Nickel-plated
Seal	Plastic, FPM/FKM
Screw-in thread seal	plastic, FPM/FKM
Screw-in thread	PG9
External diameter of the cable	6...8 mm
Core cross-section/Clamping ability	0.14...0.5 mm ²
Connection mode	Screw/clamp connection
Mechanical lifespan	> 50 Mating cycles
Protection class	IP67, (screwed together)
Electrical properties at +20 °C	
Rated voltage	60 V
Current	2 A
Insulation resistance	≥ 10 ⁸ Ω
forward resistance	≤ 3 mΩ
Mechanical and chemical properties	
Ambient temperature range (stationary)	-40...+85 °C