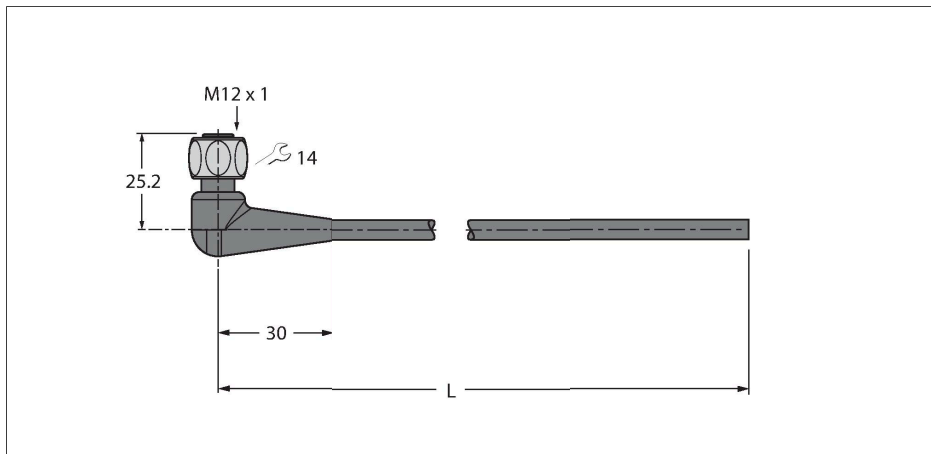


WKH4.4-5/TFE

Food & Beverage Hygienic, PVC – Connection Cable



Technical data

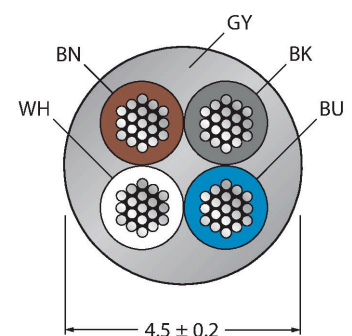
| | |
|--|--|
| Type | WKH4.4-5/TFE |
| ID | 6934481 |
| Connector A | Female, M12 × 1, Angled |
| Number of Pins | 4 |
| Contacts | Brass, CuZn, Gold-plated |
| Contact carriers | Plastic, PP, Gray |
| Connector body | Plastic, PP, Gray |
| Coupling nut/screw | Stainless Steel, V4A |
| Seal | Plastic, FPM/FKM |
| Tightening torque (range) | 0.8 ... 1 Nm (observe max. torque of mating connector!) |
| Mechanical lifespan | > 100 Mating cycles |
| Pollution degree | 3 |
| Protection class | IP65, IP67, IP68, IP69, Only in screwed condition |
| Cable | |
| Cable diameter | Ø 4.5 mm ±0.20 |
| Cable length | 5 m |
| Cable jacket | PVC, Gray |
| Core insulation | PVC |
| Core cross-section | 4 x 0.34 mm ² |
| Arrangement of strands | 19 x 0.15 mm |
| Core colors | BN, WH, BU, BK |
| Electrical properties at +20 °C | |
| Rated voltage | 250 V |
| Test voltage | 1500 V |
| Current | 4 A |

Features



- M12 female connector, angled, 4-pin
- Stainless steel coupling nut/screw
- Jacket material: PVC
- Jacket color: gray RAL 7040
- Resistant to acids and alkalis
- Resistant to oils and chemicals
- Flame-retardant acc. to DIN EN 60332 1-2, DIN EN 60332 2-2, VDE 0482 332-1-2, VDE 0482 332-2-2
- Approvals: Gost, Ecolab
- RoHS and REACH compliant
- Protection class IP67/IP69K
- Cable length: 5.0 m

Cable Cross-Section



Contact assignment

Technical data

Insulation resistance $\geq 10^8 \Omega$

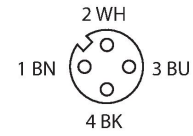
Mechanical and chemical properties

Bending radius (stationary installation) $\geq 3 \times \varnothing$

Bending radius (flexible use) $\geq 10 \times \varnothing$

Ambient temperature range (stationary) $-25 \dots +80 \text{ }^\circ\text{C}$

Ambient temperature range (In motion) $0 \dots +80 \text{ }^\circ\text{C}$



Circuit Diagram



Accessories

TORQUE-WRENCH-SET-AS 6936170

Torque wrench set; handles with adjustable torque 0.4-1.0 Nm, torque wrench for M8 (SW9), fork wrench for M12 (SW 14)