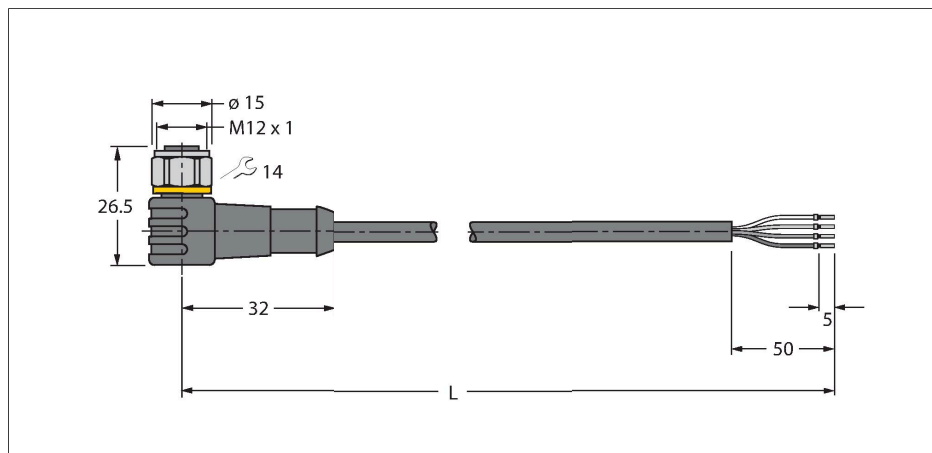


# WKCV4.4T-P7X2-5/TFW

## Actuator And Sensor Cable, PP-EPDM – Connection Cable



### Features

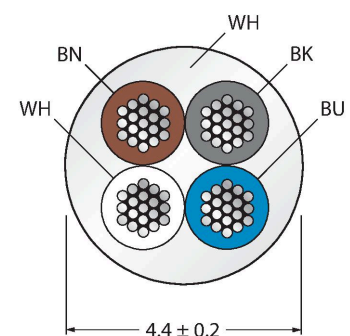


- M12 female connector, angled, 4-pin
- With 2-color LED (PNP, yellow, green)
- Stainless steel coupling nut/screw
- Sheath material: PP-EPDM
- Sheath color: white
- Resistant to acids and alkaline solutions
- Resistant to detergents and disinfectants
- Resistant to hydrolysis acc. to DIN EN 60068-2-78
- Free from silicone and PVC
- Halogen-free acc. to DIN EN 50267-2-1, IEC 60754-1, VDE 0482-267-2-1
- Approvals: Ecolab, FDA
- RoHS and REACH compliant
- Protection classes IP67, IP69K
- Cable length: 5.0 m

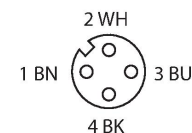
### Technical data

|  |  |
|--|--|
| Type                                   | WKCV4.4T-P7X2-5/TFW  |
| ID                                     | 6934666  |
| Connector A                            | Female, M12 × 1, Angled                                    |
| Number of Pins                         | 4  |
| Contacts                               | Brass, CuZn, Gold-plated                                   |
| Contact carriers                       | Plastic, PP, White   |
| Connector body                         | Plastic, PP, Translucent                                   |
| Coupling nut/screw                     | Stainless Steel, V4A                                       |
| Seal                                   | Plastic, FPM/FKM   |
| Tightening torque (range)              | 0.8 ... 1 Nm<br>(observe max. torque of mating connector!) |
| LED display                            | dual LED   |
| Display operating voltage              | LED, Green   |
| Display switch state                   | LED, Yellow  |
| Mechanical lifespan                    | > 100 Mating cycles  |
| Pollution degree                       | 3  |
| Protection class                       | IP67, IP69K, Only in screwed condition                     |
| <b>Cable</b>                           |  |
| Cable diameter                         | Ø 4.4 mm ±0.20   |
| Cable length                           | 5 m  |
| Cable jacket                           | PP-EPDM, White   |
| Core insulation                        | PE   |
| Core cross-section                     | 4 x 0.34 mm <sup>2</sup>                                   |
| Arrangement of strands                 | 42 x 0.1 mm  |
| Core colors                            | BN, WH, BU, BK   |
| <b>Electrical properties at +20 °C</b> |  |
| Rated voltage                          | 30 V   |

### Cable Cross-Section



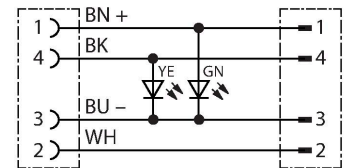
### Contact assignment



## Technical data

|   |               |
|---|---------------|
| Test voltage                              | 500 V         |
| Current                                   | 4 A           |
| forward resistance                        | max. 57 Ω/km  |
| <b>Mechanical and chemical properties</b> |               |
| Bending radius (stationary installation)  | ≥ 5 x Ø       |
| Bending radius (flexible use)             | ≥ 10 x Ø      |
| Ambient temperature range (stationary)    | -40...+105 °C |
| Ambient temperature range (In motion)     | 0...+80 °C    |

## Circuit Diagram



## Accessories

|   |                |
|---|----------------|
| <b>TORQUE-WRENCH-SET-AS</b>   | <b>6936170</b> |
| Torque wrench set; handles with adjustable torque 0.4-1.0 Nm, torque wrench for M8 (SW9), fork wrench for M12 (SW 14) |                |