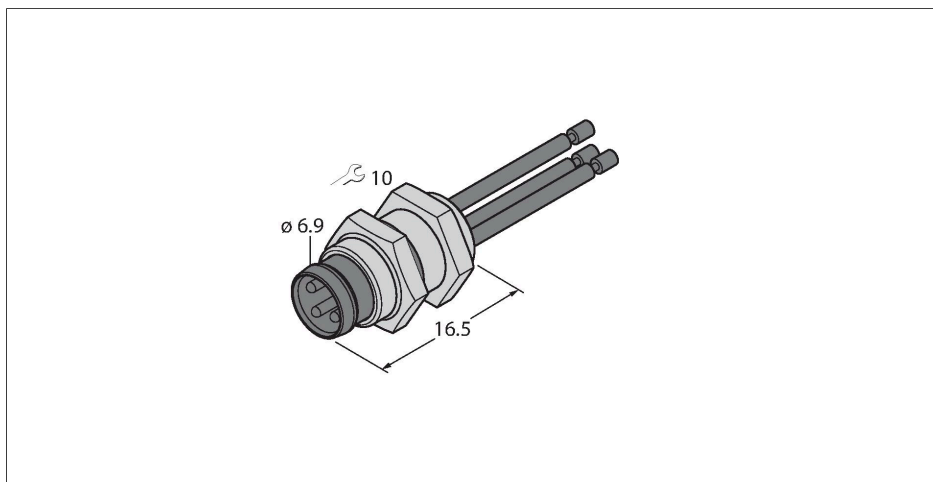


# PFS3-0.2

## – Male Flange with Stranded Wires, Front-mounted

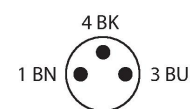


### Features



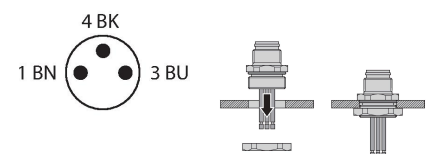
- robust and pre-assembled round connector
- Degree of protection IP67
- with 0.2 m litz wire
- also available with other litz wire lengths

### Contact assignment



### Headline Wiring Diagram

Wiring Diagram



### Technical data

Type	PFS3-0.2
ID	6934787
Connector A	Male, Ø 8 mm, Straight
Number of Pins	3
Contacts	Metal, CuZn, Gold-plated
Contact carriers	Plastic, PA, Black
Flange housing	Brass, CuZn, Nickel-plated
Screw-in thread seal	plastic, NBR
Screw-in thread	M8 x 0.5
Mechanical lifespan	> 100 Mating cycles
Pollution degree	3
Protection class	IP67, (plugged)
Cable length	0.2 m
Core insulation	PVC
Core cross-section	3 x 0.25 mm <sup>2</sup>
Arrangement of strands	14 x 0.15 mm
Core colors	BN, BU, BK
<b>Electrical properties at +20 °C</b>	
Rated voltage	60 V
Current	4 A
Insulation resistance	≥ 10 <sup>8</sup> Ω
forward resistance	≤ 5 mΩ
<b>Mechanical and chemical properties</b>	
Ambient temperature range (stationary)	-30...+90 °C
Approvals	CE

