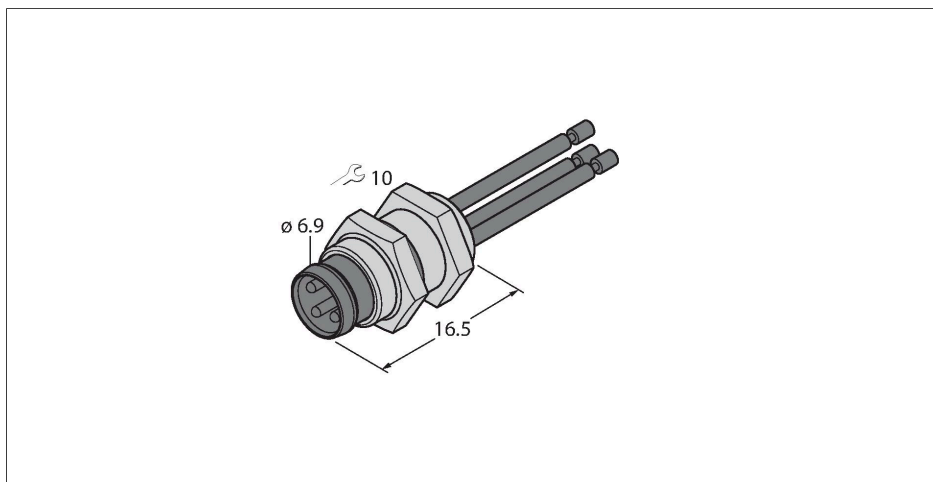


PFS4-0.2

– Male Flange with Stranded Wires, Front-mounted



Features



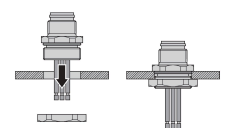
- robust and pre-assembled round connector
- Degree of protection IP67
- with 0.2 m litz wire
- also available with other litz wire lengths

Contact assignment



Headline Wiring Diagram

Wiring Diagram



Technical data

Type	PFS4-0.2
ID	6934788
Connector A	Male, Ø 8 mm, Straight
Number of Pins	4
Contacts	Metal, CuZn, Gold-plated
Contact carriers	Plastic, PA, Black
Flange housing	Brass, CuZn, Nickel-plated
Screw-in thread seal	plastic, NBR
Screw-in thread	M8 x 0.5
Mechanical lifespan	> 100 Mating cycles
Pollution degree	3
Protection class	IP67, (plugged)
Cable length	0.2 m
Core insulation	PVC
Core cross-section	4 x 0.25 mm ²
Arrangement of strands	14 x 0.15 mm
Core colors	BN, WH, BU, BK
Electrical properties at +20 °C	
Rated voltage	30 V
Current	4 A
Insulation resistance	≥ 10 ⁸ Ω
forward resistance	≤ 5 mΩ
Mechanical and chemical properties	
Ambient temperature range (stationary)	-30...+90 °C
Approvals	CE

