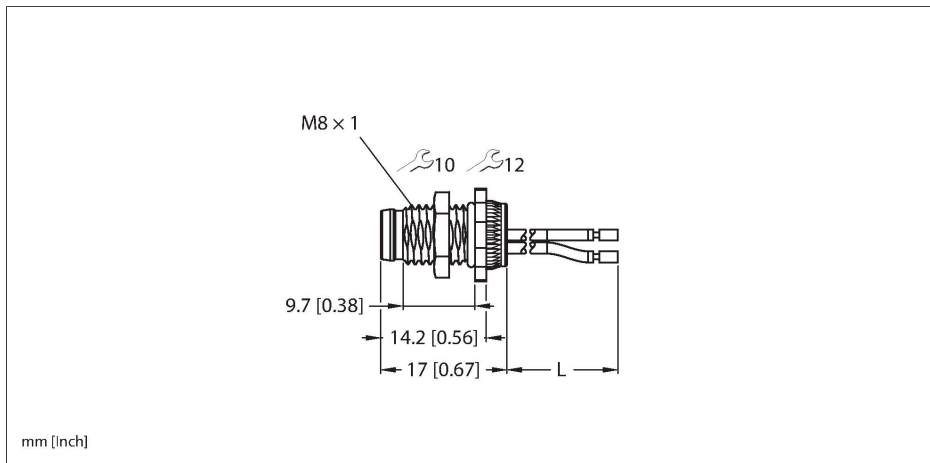


PFS3F-0.2

Male Receptacle with Stranded Wires, Rear Mounted



Technical data

| | |
|---|--------------------------------------|
| Type | PFS3F-0.2 |
| ID | 6934789 |
| Connector A | Male, M8 × 1, Straight |
| Number of Pins | 3 |
| Contacts | Bronze, CuSn, Gold-plated |
| Contact carriers | Plastic, TPU, Black |
| Flange housing | Brass, CuZn, Nickel-plated |
| Mounting type | backplane mounting |
| Screw-in thread seal | plastic, NBR |
| Screw-in thread | M8 × 1 |
| Connection mode | Wire connection |
| Mechanical lifespan | > 100 Mating cycles |
| Pollution degree | 3 |
| Protection class | IP65, IP67, IP68, (screwed together) |
| Cable length | 0.2 m |
| Core insulation | PVC |
| Core cross-section | 3 |
| Core colors | BN, BU, BK |
| Electrical properties at +20 °C | |
| Rated voltage | 60 V |
| Current | 4 A |
| Insulation resistance | ≥ 10 ⁸ Ω |
| forward resistance | ≤ 5 mΩ |
| Mechanical and chemical properties | |
| Ambient temperature range (stationary) | -30...+90 °C |
| Approvals | CE |

Features

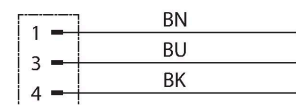


- M8 × 1 male receptacle
- Protection class IP67
- Connected via stranded wires

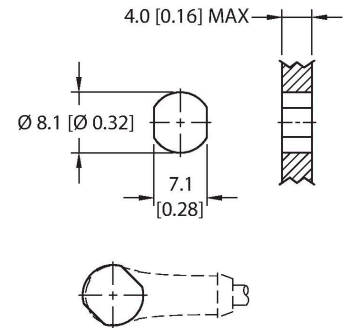
Contact assignment



Circuit Diagram



Through bore



Rear-mounted

