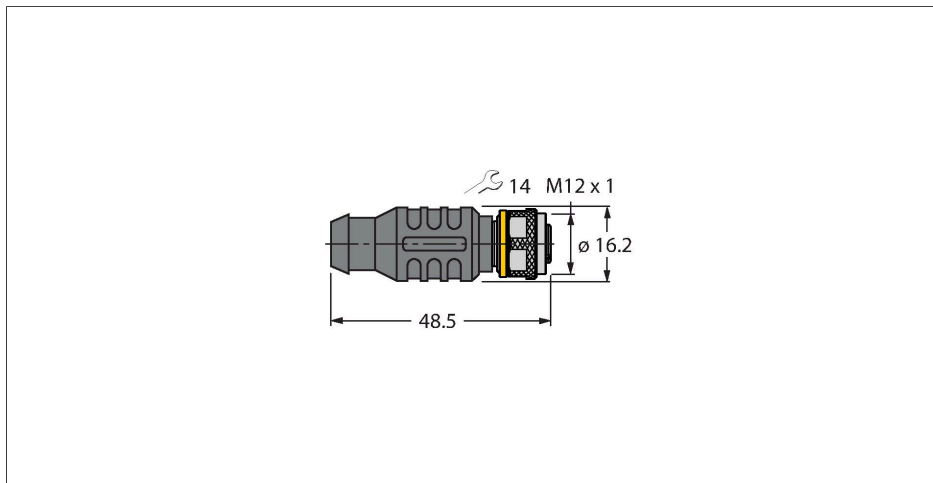


RKE57-TR2/RFID

– Bus termination resistor

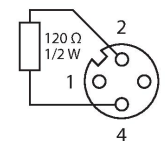


Features

- M12 female, 4-pin
- 120 Ohm resistance between pin 2 and pin 4
- RoHS-compliant
- Protection class IP67

Headline Wiring Diagram

Pin Assignment



Technical data

Type	RKE57-TR2/RFID
ID	6934907
Connector A	Female, M12 × 1, Straight
Number of Pins	4
Contacts	Brass, CuZn, Gold-plated
Contact carriers	Plastic, TPU, Black
Connector body	Plastic, TPU, Black
Coupling nut/screw	Brass, CuZn, Nickel-plated
Seal	Plastic, FPM/FKM
Mechanical lifespan	> 100 Mating cycles
Pollution degree	3
Protection class	IP67, (screwed together)
Network protocol	DeviceNet RFID
Mechanical and chemical properties	
Ambient temperature range (stationary)	-40...+80 °C

Circuit Diagram

