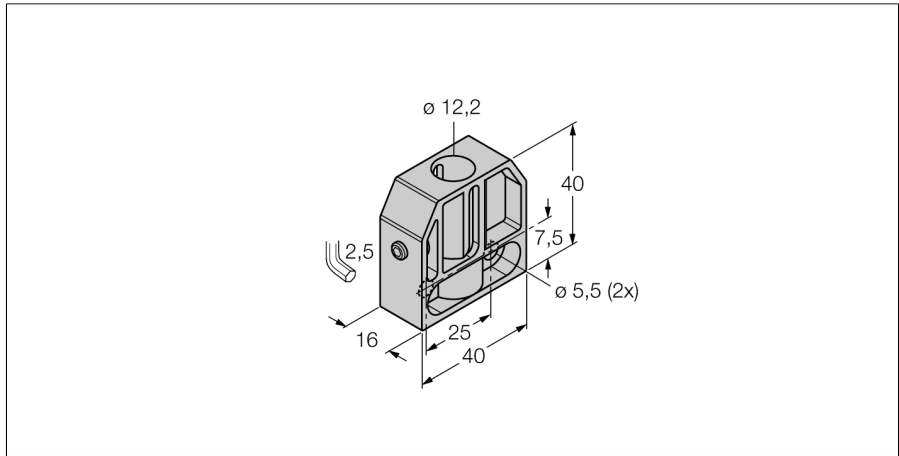


Accessories

Mounting Clamp

BS 12



- Fixing clamp M12 x 1
- Plastic PBT

Type	BS 12
ID	69470
Design	Accessories for threaded barrel, M12
Dimensions	40 x 45 x 22 mm
Housing material	Plastic, PBT