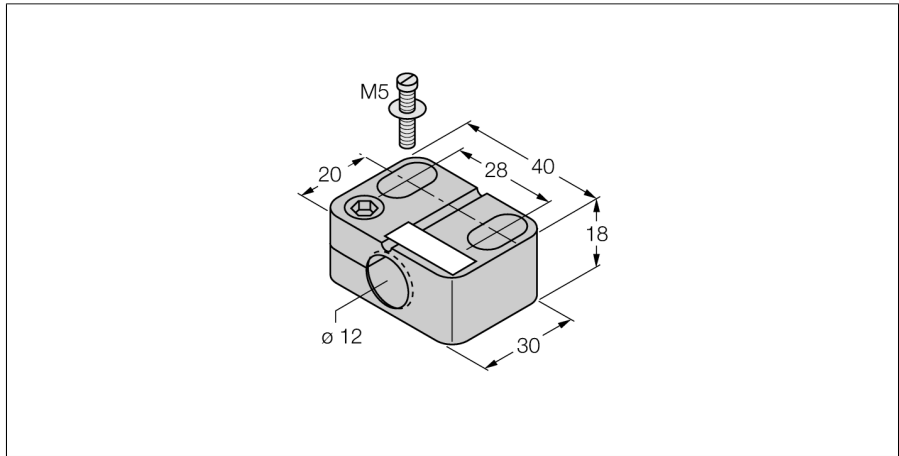


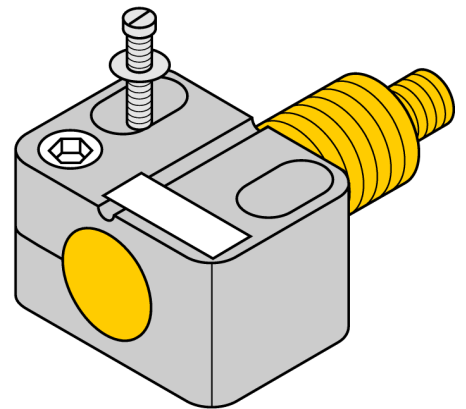
Mounting Accessories

Mounting Clip for M12 Design

BST-12B



- With dead-stop
- Plastic PA6



Type	BST-12B
ID	6947212
Design	Accessories for threaded barrel, M12
Dimensions	30 x 40 x 18 mm
Housing material	Plastic, PA6, Black
Max. tightening torque of housing nut	0.5 Nm