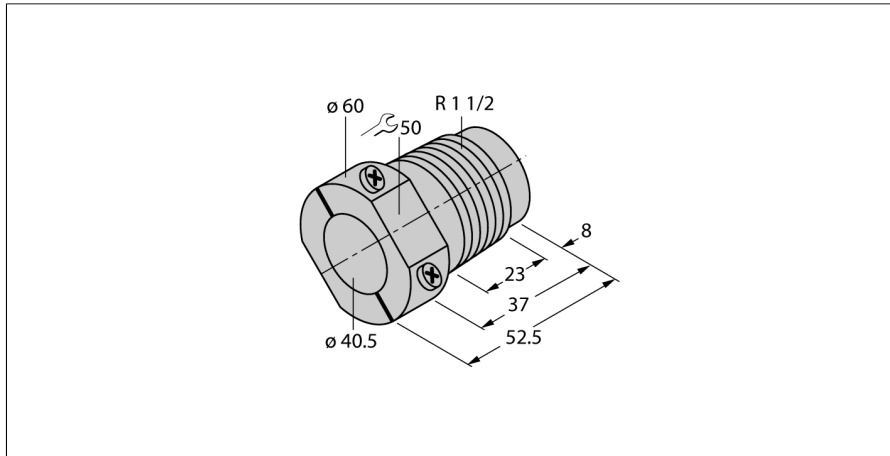


Accessories

Mounting Adapter

MAP-K40



- Mounting adapter
- Plastic: Polypropylene
- Sensor can be removed from a filled container (adapter remains in container during replacement)

Type	MAP-K40
ID	6950014
Design	Accessories for smooth barrel, 40 mm
Dimensions	52.5 mm
Housing material	Plastic, PP