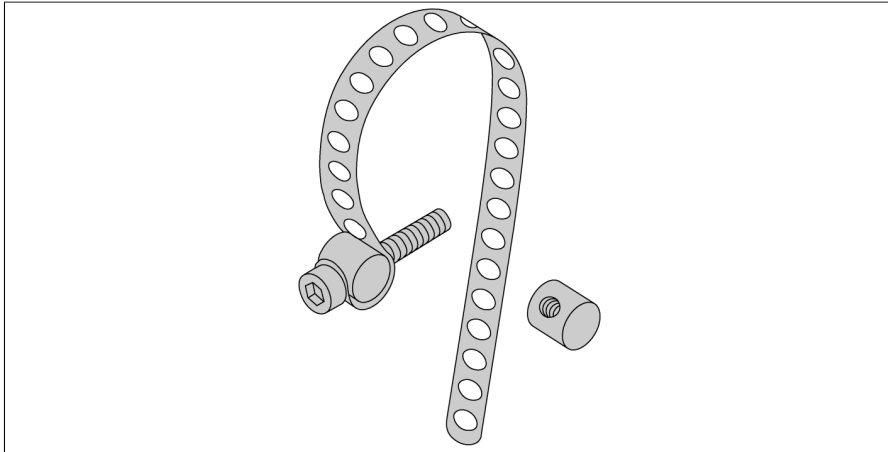


Accessories

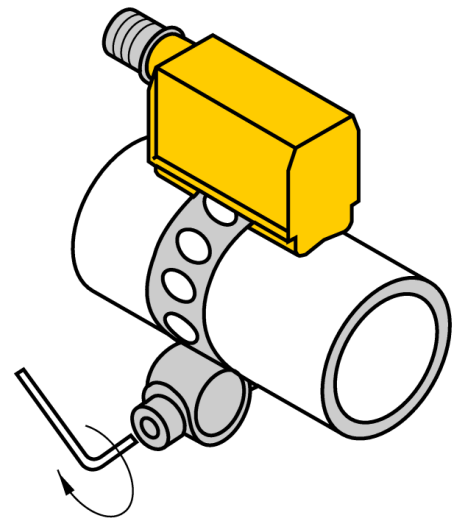
Assembly Bell

For Round Cylinders

KLP 200-VA



Mounting kit consisting of: Mounting kit consisting of retaining strap, cylinder diameters of 80...200 mm; (material: stainless steel), 2 tie bolts (material: brass) cylinder screw M3 x 20; DIN 912-A20



Type	KLP 200-VA
ID	6965302
Design	Accessories, PST
Housing material	Metal, 1.4301 (AISI 304)
Fixing clamp for correspondent cylinder diameter	80...200 mm