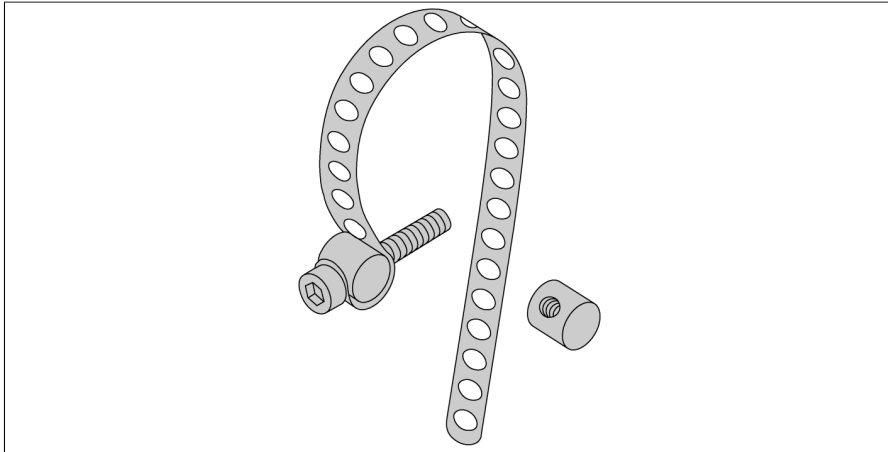


Accessories

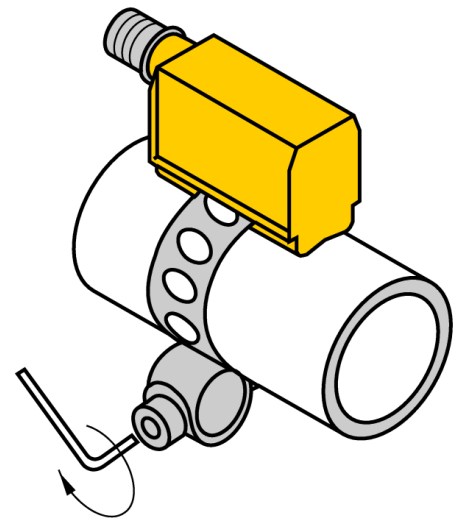
Assembly Bell

For Round Cylinders

KLP 80-VA



mounting kit consisting of: Retaining strap, cylinder diameters of 25...80 mm; (material: stainless steel), 2 tie bolts (material: brass, alternatively stainless steel) cylinder screw M3 x 20; DIN 912-A20



Type	KLP 80-VA
ID	69654
Design	Accessories, PST
Housing material	Metal, 1.4301 (AISI 304)
Fixing clamp for correspondent cylinder diameter	25...80 mm