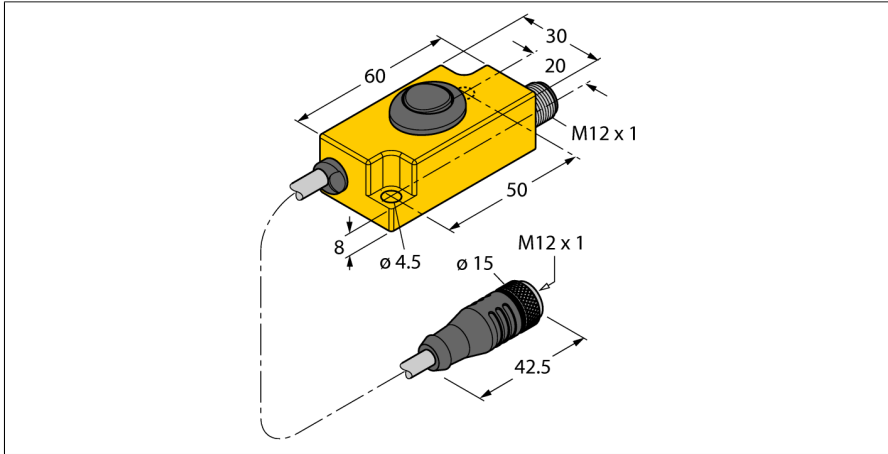


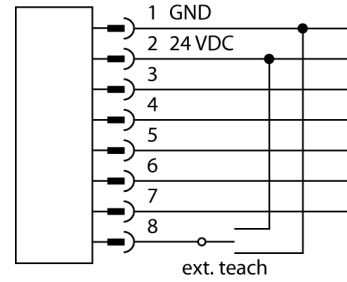
Accessories

Teach Adapter

TX2-Q20L60



- Teach adapter
- For programming of inductive encoders with SSI interface or incremental output



Functional principle

Connect the teach adapter between sensor and connection cable. On activating the DIP switch, the corresponding parameter settings are taken over.

Type	TX2-Q20L60
ID	6967117
Dimensions	60 x 30 x 20 mm