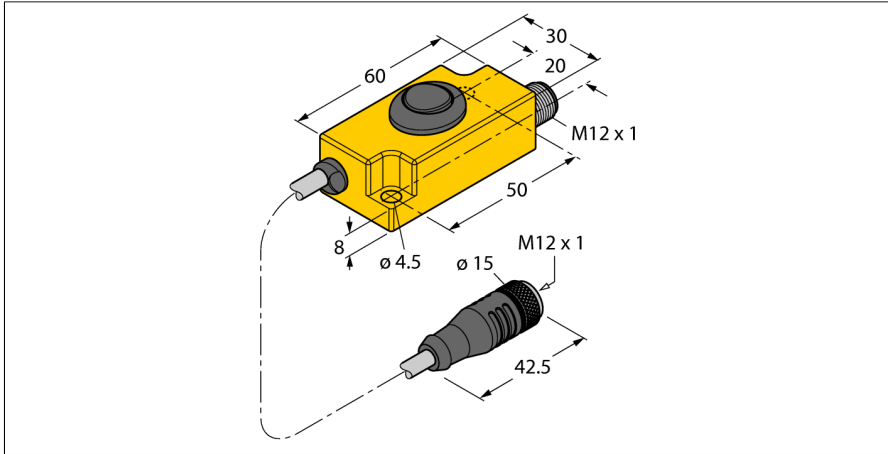


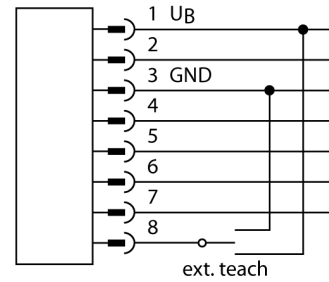
Accessories

Teach Adapter

TX3-Q20L60



- Teach adapter
- For programming of 8-pin sensors



Functional principle

Connect the teach adapter between sensor and connection cable. On activating the DIP switch, the corresponding parameter settings are taken over.

| | |
|------------|-----------------|
| Type | TX3-Q20L60 |
| ID | 6967118 |
| Dimensions | 60 x 30 x 20 mm |