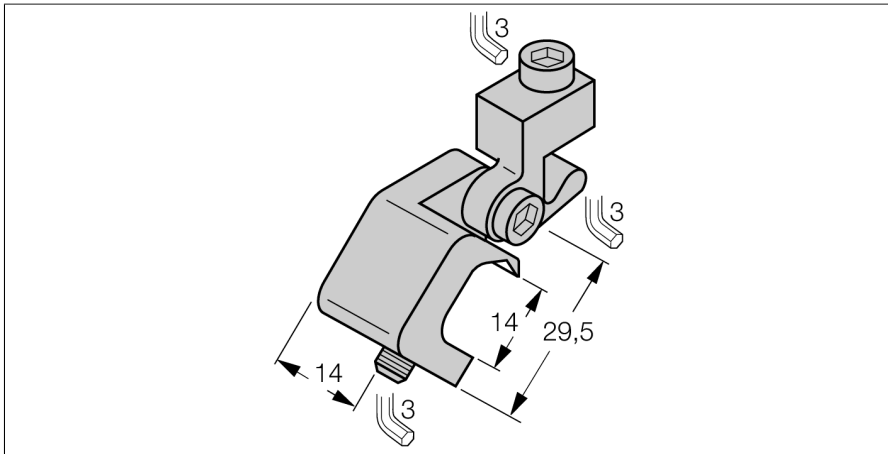


# Accessories

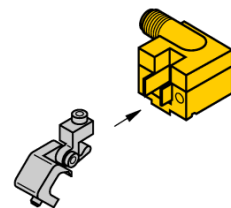
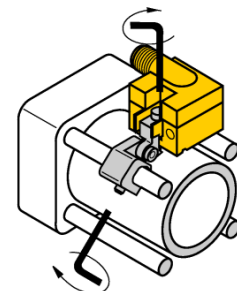
## Mounting Bracket

### For Tie-Rod Cylinders

#### KLA2



- Mounting on tie-rod cylinders
- Cylinder diameter: 40...125 mm
- Aluminum



Type	KLA2
ID	69701
Design	Accessories, AKT
Dimensions	29.5 x 14 mm
Housing material	Metal, AL
Fixing clamp for correspondent cylinder diameter	40...125 mm
clamping width:	7... 13mm