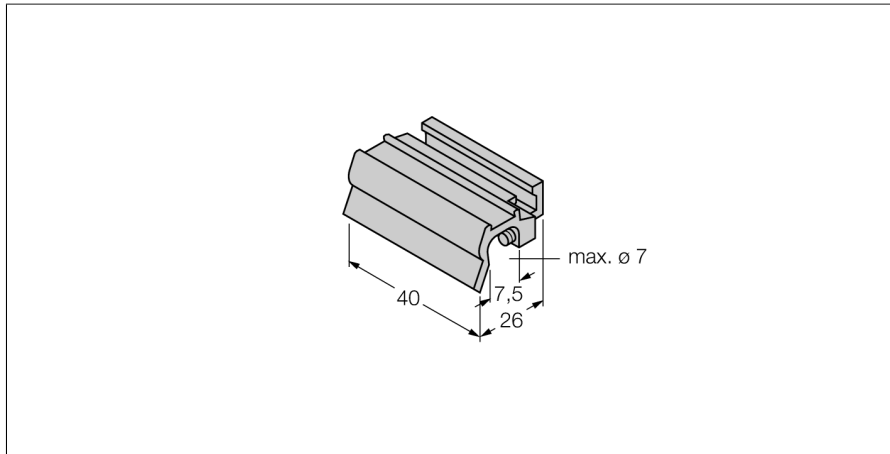


Accessories

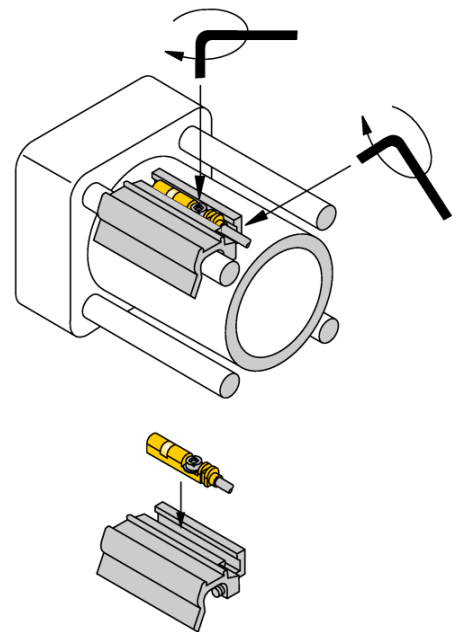
Mounting Bracket

For Tie-rod Cylinders

KLZ1-INT



- Mounting on tie-rod cylinders
- Cylinder diameter: 32...40 mm
- Tie rod diameters up to 7.2 mm
- Metal: Aluminum



Type	KLZ1-INT
ID	6970410
Design	Accessories, INT
Dimensions	40 x 26 x 10 mm
Housing material	Metal, AL
Fixing clamp for correspondent cylinder diameter	32...40 mm