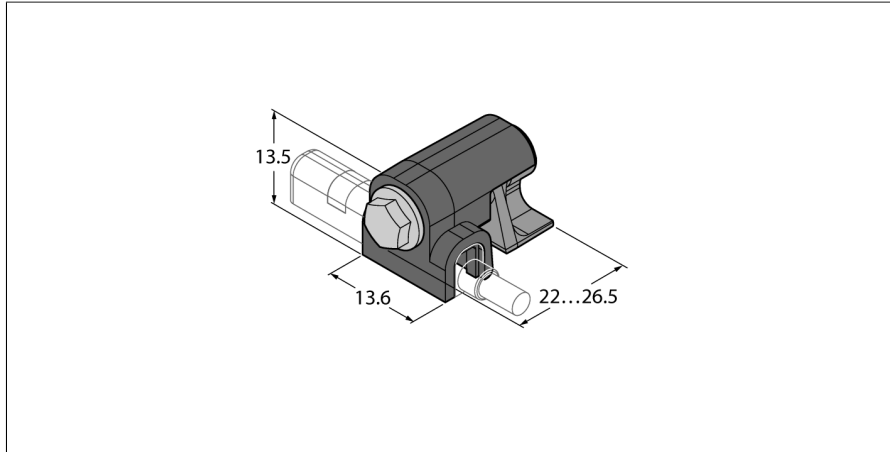


Accessories

Mounting Bracket

For CleanDesign Cylinders

KLZCD2-UNT



- Mounting of magnetic field sensors for T-grooves on CleanDesign cylinders
- Plastic: Polyphenylene sulfide (PPS)
- Stainless steel screw

Type	KLZCD2-UNT
ID	6970418
Design	Accessories
Dimensions	26.5 x 13.6 x 13.5 mm
Housing material	Plastic, PPS