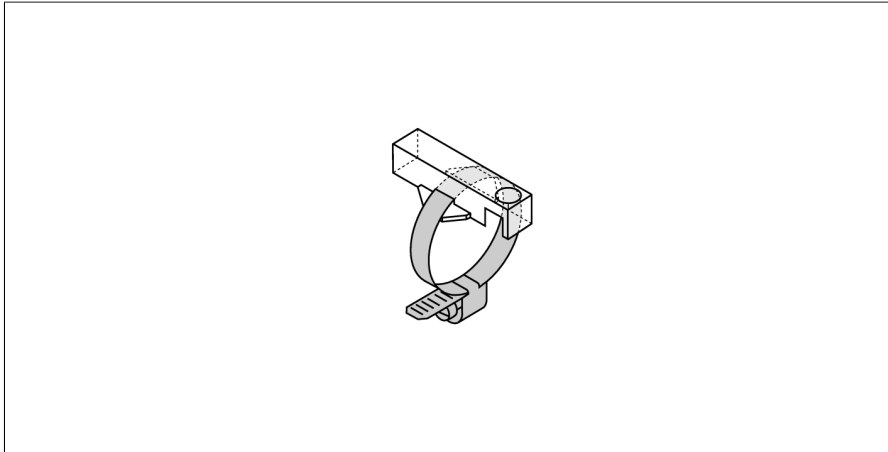


Accessories

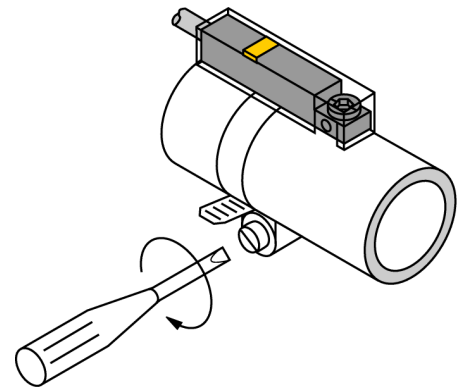
Mounting Bracket

For Round Cylinders, Tie-rod Cylinders

KLR1



- Mounting on round cylinders using tensioning straps (available separately)
- For various cylinder diameters
- Plastic: Trogamid



Type	KLR1
ID	6970600
Design	Accessories, INT
Dimensions	33 x 15 x 9 mm
Housing material	Plastic, Trogamid

Accessories

Type code	Ident no.		Dimension drawing
ASB-1	6965101	Clip collar for mounting brackets for magnetic field sensors on round cylinders; cylinder diameter: 7...11 mm; other lengths are available under designations ASB-1 to ASB-9	