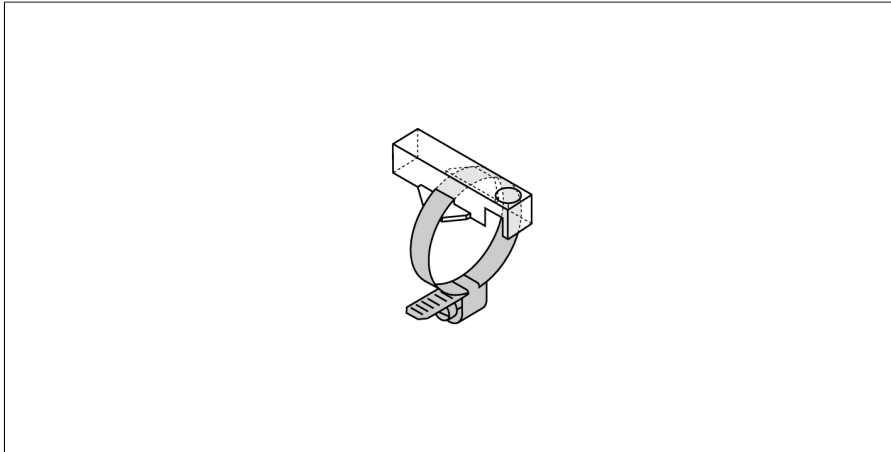


Accessories

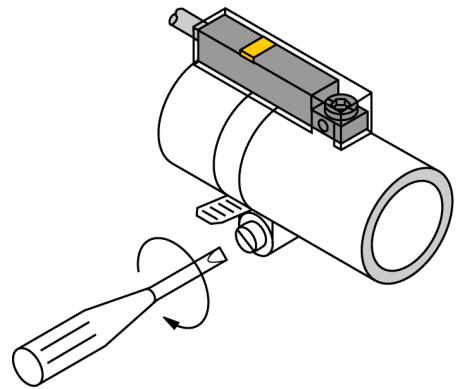
Mounting Bracket with Clip Collar

For Round Cylinders or Tie-rod cylinders

KLR1-ASB9



- Mounting on round cylinders
- Cylinder diameter: 78...89 mm
- Plastic: Trogamid



Type	KLR1-ASB9
ID	6970607
Design	Accessories, INT
Dimensions	33 x 15 x 9 mm
Housing material	Plastic, Trogamid
Fixing clamp for correspondent cylinder diameter	78...89 mm