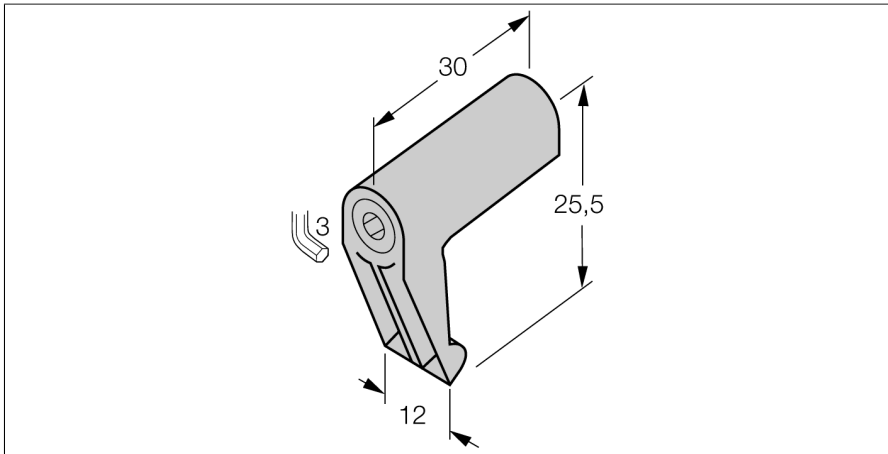


Accessories

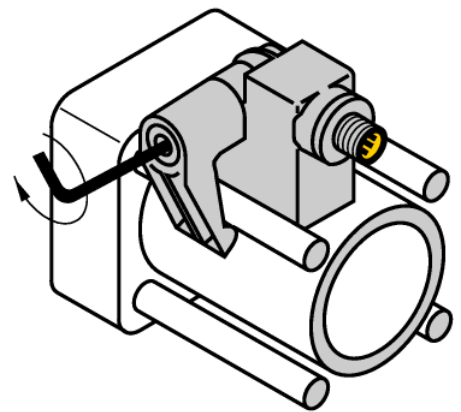
Mounting Bracket

For Tie-Rod Cylinders

KLI1



- Mounting on tie-rod cylinders
- Cylinder diameter: 32...100 mm
- Material: Die-cast Zinc



Type	KLI1
ID	69710
Design	Accessories, IKE, IKT, IKM
Dimensions	30 x 25.5 x 12 mm
Housing material	Metal, GD-Zn
Fixing clamp for correspondent cylinder diameter	32...100 mm
clamping width:	4... 13mm

