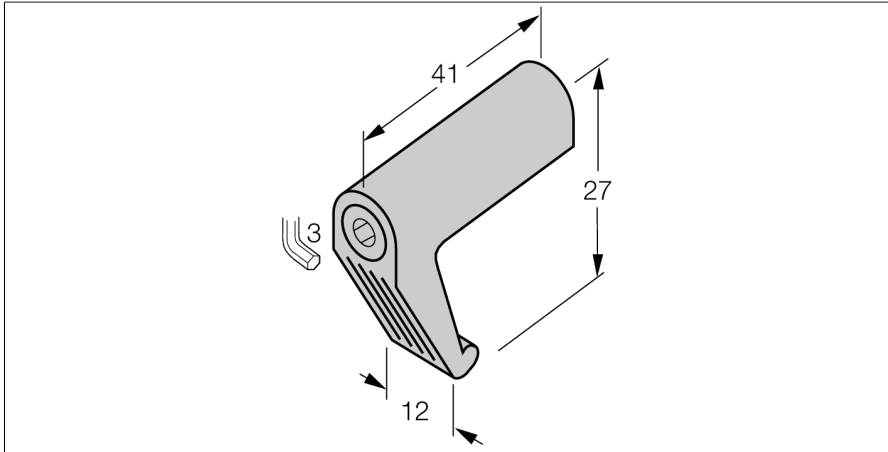


Accessories

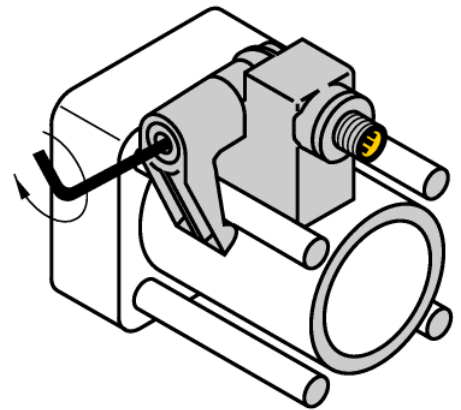
Mounting Bracket

For Tie-Rod Cylinders

KLI3



- Mounting on tie-rod cylinders
- Cylinder diameter: 63...160 mm
- Material: Die-cast Zinc



Type	KLI3
ID	69712
Design	Accessories, IKE, IKT, IKM
Dimensions	41 x 27 x 12 mm
Housing material	Metal, GD-Zn
Fixing clamp for correspondent cylinder diameter	63...160 mm
clamping width:	6... 16mm

