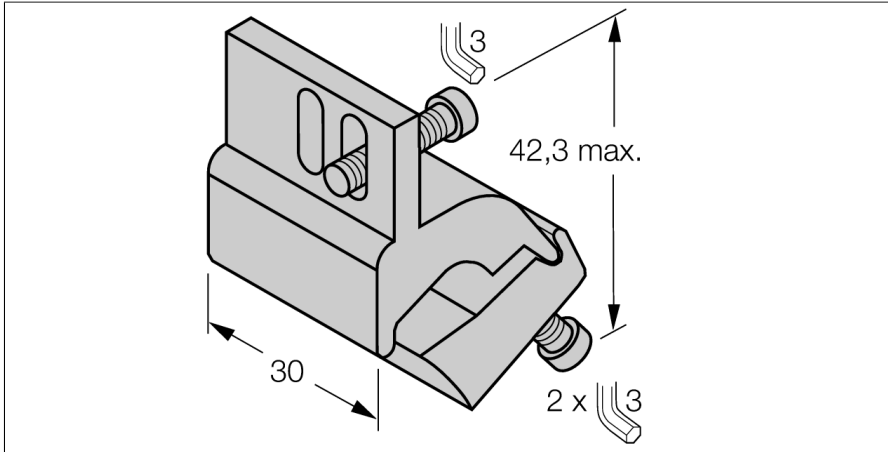


# Accessories

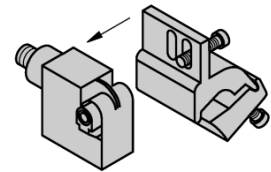
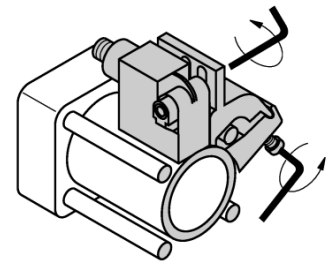
## Mounting Bracket

### For Tie-Rod Cylinders

#### KLI5Z



- Mounting on tie-rod cylinders
- Cylinder diameter: 32...63 mm
- Material: Aluminum



Type	KLI5Z
ID	6971803
Design	Accessories, IKE, IKT, IKM
Dimensions	42.3 x 30 mm
Housing material	Metal, AL
Fixing clamp for correspondent cylinder diameter	32...63 mm
clamping width:	4... 8mm