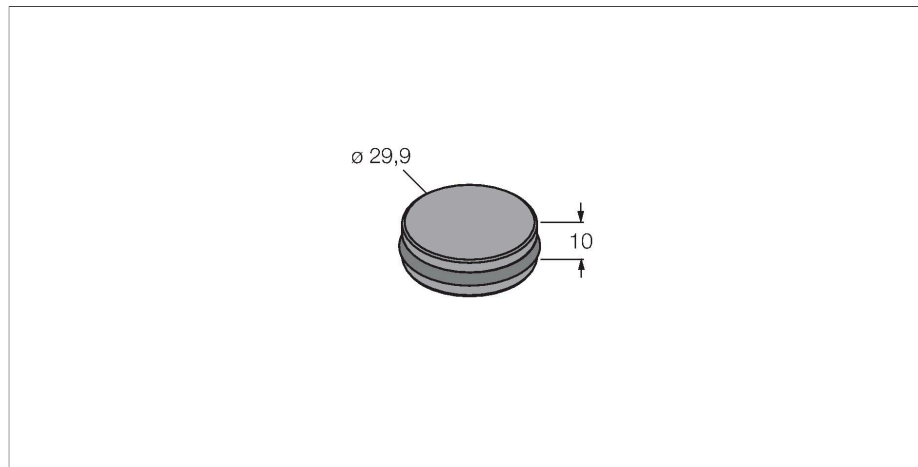


TW-R30-M-B128

HF Tag



Features

- 3 different mounting options in/on metal, incl. accessories
- EEPROM, memory 128 byte
- For direct mounting on and in metal

Functional principle

The HF read/write devices operating at a frequency of 13.56 MHz form a transmission zone the size of which (0...500 mm) varies, depending on the combination of read/write head and tag used.

The read/write distances mentioned here only represent standard values measured under laboratory conditions, free from any influences caused by surrounding materials.

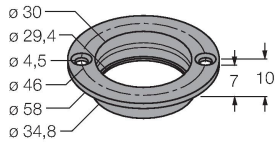
The read/write distances of tags suitable for mounting in/on metal were determined in/on metal.

Attainable distances may vary by up to 30 % due to component tolerances, mounting conditions, ambient conditions and material qualities (especially when mounted in metal). Testing of the application under real operating conditions is therefore essential, especially with on-the-fly reading and writing!

Technical data

| | |
|--|-------------------------------------|
| Type | TW-R30-M-B128 |
| ID | 7030210 |
| Remark to product | For direct mounting on and in metal |
| Data transfer | Inductive coupling |
| Technology | HF RFID |
| Operating frequency | 13.56 MHz |
| Memory type | EEPROM |
| Chip | NXP I-Code SLI-X |
| Memory | 128 Byte |
| Memory | Read/Write |
| Freely usable memory | 112 Byte |
| Number of read operations | unlimited |
| Number of write operations | 10 ⁵ |
| Typical read time | 2 ms/Byte |
| Typical write time | 3 ms/Byte |
| Radio communication and protocol standards | ISO 15693 NFC Typ 5 |
| Minimum distance to metal | 0 mm |
| Temperature during read/write access | -25...+85 °C |
| Temperature outside detection range | 85 °C |
| | 140 °C, 1x100 h |
| Design | Hard tag, R30 |
| Diameter | 30 mm |
| Housing material | Plastic, PET |
| Active area material | Plastic, PET, black |
| Protection class | IP68 |
| Packaging unit | 1 |

Accessories

MF-R30**6901150**

The flange facilitates mounting of the tag TW-R30-M-B128 (-K2) on or in the metal.