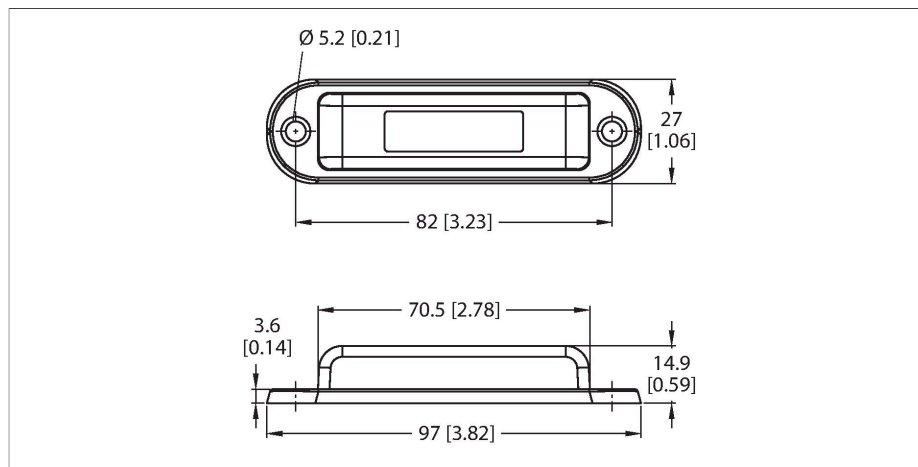


# TW860-960-Q27L97-M-B112

## UHF Tag



### Features

- For outdoor use
- EEPROM, memory 112 byte
- TID memory: 12 byte
- For direct mounting on metal

### Functional principle

The UHF read/write heads form an air interface the size of which may vary, depending on the combination of read/write head and tag. The read/write distances mentioned here only represent standard values measured under laboratory conditions and free from any influences caused by materials. Attainable distances may vary due to component tolerances, mounting conditions, ambient conditions and material qualities, especially when mounted in metal. Testing of the application under real operating conditions is therefore essential, especially with read/write on-the-fly!

### Technical data

Type	TW860-960-Q27L97-M-B112
ID	7030464
Remark to product	For direct mounting on metal
Data transfer	Alternating electromagnetic field
Technology	UHF RFID
Region (UHF)	Global (860...960 MHz) ETSI (865...868 MHz) FCC (902...928 MHz)
Radio communication and protocol standards	ISO 18000-63 EPCglobal Gen 2
Design	Hard tag
Housing material	Plastic, Polycarbonate/ABS
Active area material	Plastic, Blue
Vibration resistance (EN 60068-2-6)	10 g; 10...2000 Hz; 3 axes; 2.5 h
Continuous shock resistance (EN 60068-2-29)	40 g, 18 ms, 6 axes, 2000 ×
Protection class	IP69K
Packaging unit	1

### Technical data

Type	TW860-960-Q27L97-M-B112
ID	7030464
Remark to product	For direct mounting on metal
Data transfer	Alternating electromagnetic field
Technology	UHF RFID
Region (UHF)	Global (860...960 MHz) ETSI (865...868 MHz) FCC (902...928 MHz)
Reading range on metal	8 m (2W ERP)
Memory type	EEPROM
Chip	Impinj Monza 4QT

## Technical data

Memory size	112 Byte
Memory	Read/Write
Freely usable memory	64 Byte
EPC memory	16 byte
Number of read operations	unlimited
Number of write operations	10 <sup>5</sup>
Typical read time	2 ms/Byte
Typical write time	3 ms/Byte
Radio communication and protocol standards	ISO 18000-63 EPCglobal Gen 2
Minimum distance to metal	0 mm
Temperature during read/write access	-40...+80 °C
Temperature outside detection range	-40...+80 °C
Design	Hard tag
Housing length	97 mm
Housing width	27 mm
Housing height	15 mm
Housing material	Plastic, Polycarbonate/ABS
Active area material	Plastic, Blue
Vibration resistance (EN 60068-2-6)	10 g; 10...2000 Hz; 3 axes; 2.5 h
Continuous shock resistance (EN 60068-2-29)	40 g, 18 ms, 6 axes, 2000 ×
Protection class	IP69K
Packaging unit	1

## Mounting instructions/Description

