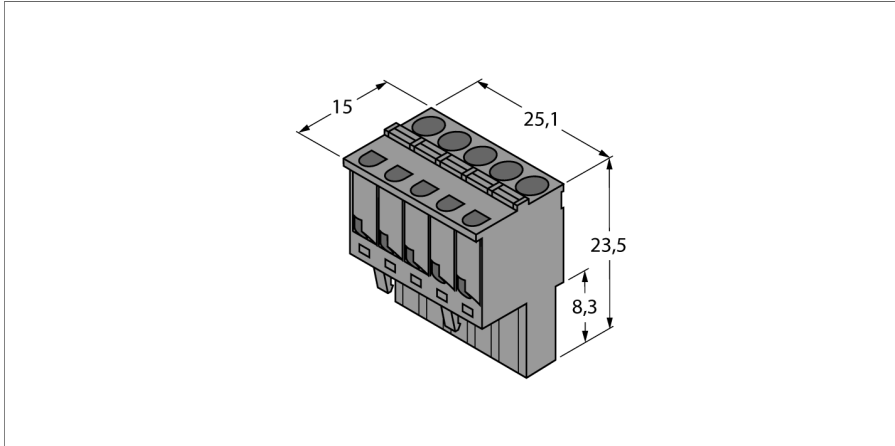


## Accessories

### Removable Spring-Type Terminals

#### IM-CC-5X2BU/2BK



- Removable cage clamp terminals for IM modules
- 5-pin
- Batch: 2 blue and 2 black clamps

**Dimensions**

Type	IM-CC-5X2BU/2BK
ID	7504031
Protection class	IP20
Weight	36 g

