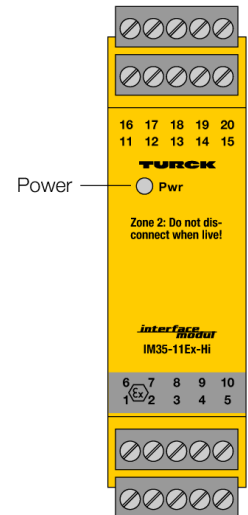
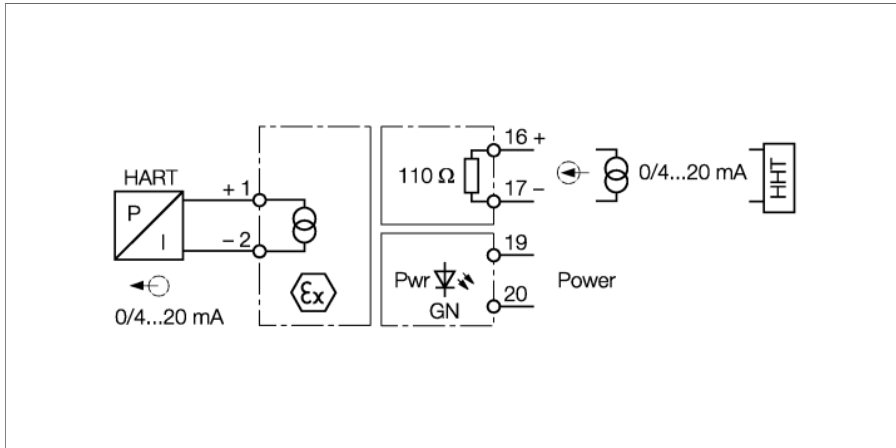


Analog Signal Isolator

1-channel

IM35-11EX-HI



The 1-channel signal isolator IM35-11EX-HI is designed to transmit the normalized current signal galvanically isolated 1:1 from the non-Ex area to the Ex-area. In addition to the analog signal, also digital HART® communication signals can be transmitted bidirectionally.

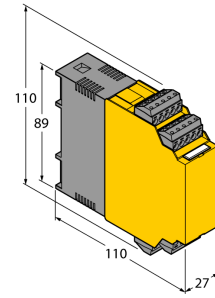
Typical applications are for example, the control of I/P converters (at control valves for example) or indicators in the Ex-area.

The actuators are connected to the output terminals 1/2. Handheld terminals [HHT] can be connected to the output and input terminals 16/17.

In addition, the removable terminal blocks are equipped with 2 mm test sockets for signal control.

- Intelligent actuators supplied via HART communication interface
- Input circuit: 0/4...20 mA
- Output circuit: 0/4...20 mA, intrinsically safe
- Universal operating voltage
- Complete galvanic isolation
- Input reverse-polarity protected
- ATEX, TR CU, NEPSI
- Installation in zone 2

Dimensions



Type	IM35-11EX-HI
ID	7506517
Nominal voltage	
Nominal voltage	Universal voltage supply unit
Operating voltage	20...250 VAC
Frequency	40...70 Hz
Operating voltage	20...125 VDC
Power consumption	≤ 2 W
Input current	
Input current	0/4...20 mA
Input resistance (current)	≤ 110 Ω
Output circuits	
Output current	0/4...20 mA
Load resistance current output	≤ 0.6 kΩ
Response characteristic	
Rise time (10...90 %)	≤ 90 ms
Fall time (90...10 %)	≤ 90 ms
Measuring accuracy (including linearity, hysteresis and repeatability)	≤ 0.1 % of full scale
Reference temperature	23 °C
Temperature drift	≤ 0.005 % of full scale/K
Galvanic isolation	
Test voltage	2.5 kV RMS
Important note	
Important note	For Ex-applications the values specified in the corresponding Ex certificates (ATEX, IECEx, UL, etc.) apply.
Ex approval acc. to conformity certificate	IBExU 08 ATEX 1130
Application area	II (1) G, II (1) D
Ignition protection category	[Ex ia Ga] IIC; [Ex ia Da] IIIC
Ex approval acc. to conformity certificate	IBEXU 08 ATEX B020 X
Application area	II 3 G
Ignition protection type	Ex nA [ic Gc] IIC T4 Gc
Characteristic	trapezoidal
Displays/Operating elements	
Operational readiness	Green
Mechanical data	
Protection class	IP20
Flammability class acc. to UL 94	V-0
Ambient temperature	-25...+70 °C
Storage temperature	-40...+80 °C
Dimensions	110 x 27 x 110 mm
Weight	194 g
Mounting instructions	DIN rail (NS35) or panel
Housing material	Polycarbonate/ABS
Electrical connection	4 × 5-pin removable terminal blocks with test socket, reverse polarity protected, screw terminal
Terminal cross-section	1 × 2.5 mm ² /2 × 1.5 mm ²
Tightening torque	0.5 Nm

Accessories

Type code	Ident no.		Dimension drawing
IM-CC-5X2BU/2BK	7504031	Cage clamp terminals for IM modules (Ex-devices with 27 mm overall width); includes: 2 pcs. 5-pin blue terminals and 2 pcs. 5-pin black terminals.	