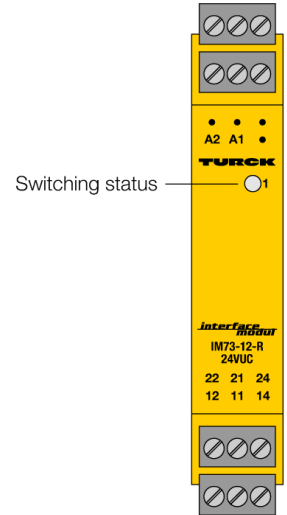
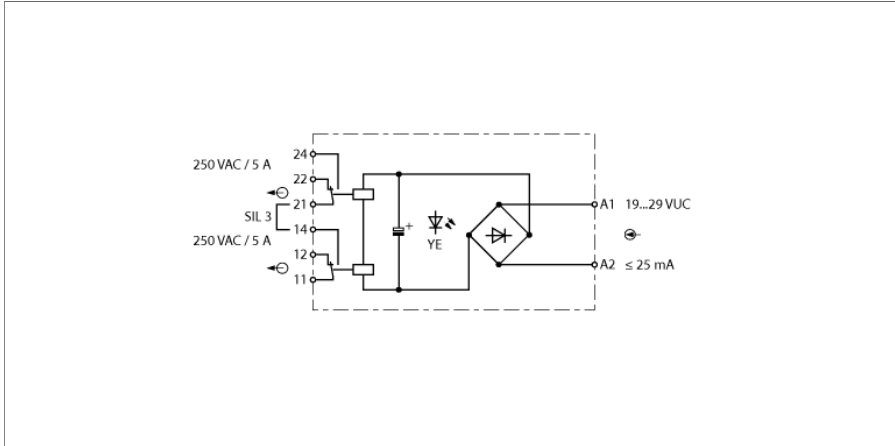


# Relay coupler 1-channel IM73-12-R/24VUC



The IM73-12-R/24VUC 1-channel relay coupler is particularly suitable for use as a coupling module for the safe galvanic isolation of binary signals. 2 synchronous controlled relays, each with 1 changeover contact are provided at the output.

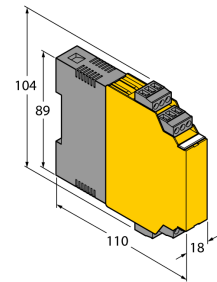
If applied in SIL-3 circuits, the following conditions have to be observed:

- If the output relay triggers a contactor directly, the contactor must be equipped with a protective circuitry at the coil connection.
- Both relays have to be connected in series.
- The contact circuit is equipped with a fuse and is activated at 60 % nominal current.

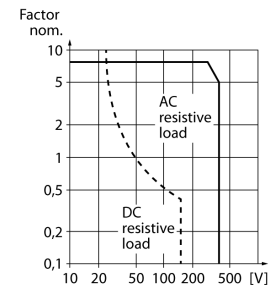
The status of the relay is indicated via LED on the front.

- Output circuit: 2 relays each with 1 changeover contact
- 5 A switching current at 250 VAC
- Operating voltage 19...29 VDC
- Removable terminal blocks
- SIL3
- Galvanic isolation between input circuits and output circuits
- TR CU

## Dimensions

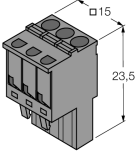


## Load curve



|                                  |   |
|----------------------------------|---|
| Type                             | IM73-12-R/24VUC   |
| ID                               | 7520712   |
| Nominal voltage                  | 24 VUC  |
| Frequency                        | 48...62 Hz  |
| Operating voltage                | 19...29 VDC   |
| Power consumption                | ≤ 0.6 VA  |
| Voltage input                    | 19...29 VAC/ VDC  |
| Input current                    | 25 mA   |
| Output circuits                  |   |
| Output circuits (digital)        | 2 x relays (change-over)  |
| Switching current per output     | ≤ 5 A   |
| Switching capacity per output    | ≤ 2000 VA/180 W   |
| Switching frequency              | ≤ 5 Hz  |
| Galvanic isolation               |   |
| Test voltage                     | 2.5 kV RMS  |
| Approval                         | SIL 3 acc. to EXIDA FMEDA   |
| Displays/Operating elements      |   |
| Switching state                  | Yellow  |
| Mechanical data                  |   |
| Protection class                 | IP20  |
| Flammability class acc. to UL 94 | V-0   |
| Ambient temperature              | -25...+70 °C  |
| Storage temperature              | -40...+80 °C  |
| Dimensions                       | 104 x 18 x 110 mm   |
| Weight                           | 124 g   |
| Mounting instructions            | DIN rail (NS35) or panel  |
| Housing material                 | Polycarbonate/ABS   |
| Electrical connection            | 4 × 3-pin removable terminal blocks, reverse polarity protected, screw terminal |
| Terminal cross-section           | 1 × 2.5 mm <sup>2</sup> /2 × 1.5 mm <sup>2</sup>                                |
| Tightening torque                | 0.5 Nm  |

**Accessories**

| Type code       | Ident no. |   | Dimension drawing   |
|-----------------|-----------|---|---|
| IM-CC-3X2BK/2BK | 7541218   | Cage clamp terminals for IM modules ( Ex-devices with 18 mm overall width); includes: 4 pcs. of 3-pin black terminals |  |