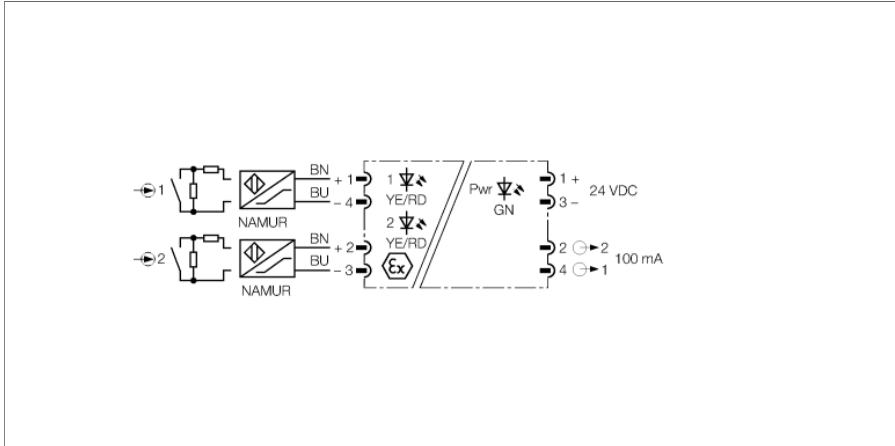


Isolating switching amplifier 2-channel IMC-DI-22EX-PNO/24VDC

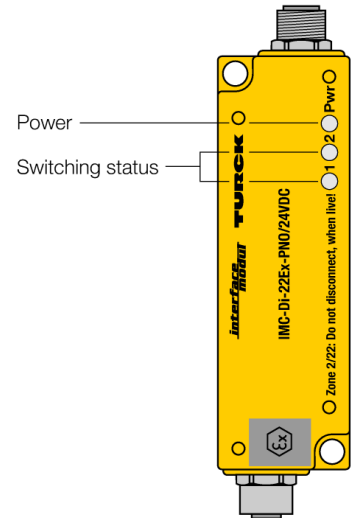


The 2-channel IMC-Di-22Ex-PNO/24VDC isolating switching amplifier is equipped with intrinsically safe input circuits.

Sensors according to EN 60947-5-6 (NAMUR), variable resistors or potential free contacts can be connected to the device.

The output circuits feature 2 NO transistors. A green LED indicates operational readiness.

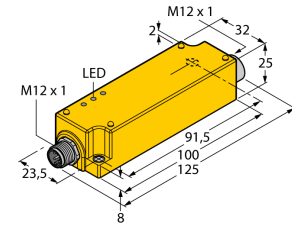
The device must be protected against mechanical load on connector and housing when mounted in zone 2 or 22. For this, use the TURCK cover plate IMC-SG (ident no.7560016).



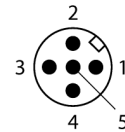
- Isolating switching amplifier, 2-channel
- Line monitoring for wire break / short circuit
- PNP transistor output NO
- Complete galvanic isolation
- Input reverse-polarity protected
- Protection class IP67
- Connection with M12 male connectors
- ATEX, IECEx, cFM_{us}, TR CU
- Installation in zone 2/22

Type	IMC-DI-22EX-PNO/24VDC
ID	7560003
Nominal voltage	24 VDC
Operating voltage	20...30 VDC
NAMUR input	
NAMUR	EN 60947-5-6
No-load voltage	8.2 VDC
Short-circuit current	8.2 mA
Input resistance	1 kΩ
Cable resistance	≤ 50 Ω
Switch-on threshold	1.55 mA
Switch-off threshold	1.75 mA
Output circuits	
Voltage drop	≤ 2.5 V
Semiconductor output circuits	
Output circuits (digital)	2 x transistors (pnp, short-circuit proof)
Switching voltage	≤ 30 VDC
Switching current per output	≤ 0.1 A
Switching frequency	≤ 3000 Hz
Galvanic isolation	
Test voltage	2.5 kV RMS
Important note	
	For Ex-applications the values specified in the corresponding Ex certificates (ATEX, IECEx, UL, etc.) apply.
Ex approval acc. to conformity certificate	TÜV17 ATEX195767X
Application area	II (1) GD
Ignition protection category	[Ex ia] IIC/IIB
Ignition protection type	II 3 (1) Ex ec [ia Ga] IIC T4 Gc / Ex tc [ia Da] IIIB T96 °C Dc
Approval	SIL2 acc. to EXIDA FMEDA
Displays/Operating elements	
Operational readiness	Green
Switching state	Yellow
Error indication	red
Mechanical data	
Protection class	IP67
Ambient temperature	-25...+70 °C
Storage temperature	-40...+80 °C
Dimensions	100 x 32 x 25 mm
Weight	166 g
Mounting instructions	panel
Housing material	Polycarbonate/ABS
Electrical connection	M12 receptacle
Tightening torque	3.5 Nm

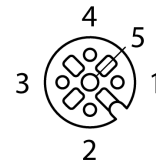
Dimensions



Pin assignment male M12



Pin assignment female M12 (intrinsically safe end)



Accessories

Type code	Ident no.		Dimension drawing
IMC-SG	7560016	Metal cover plate for IMC modules (required for application in zones 2/22)	
SC-M12/3GD	6900390	Captive safety clip for sensors with M12 x 1 connectors and approval acc. to ATEX II 3 G or II 3 D.	