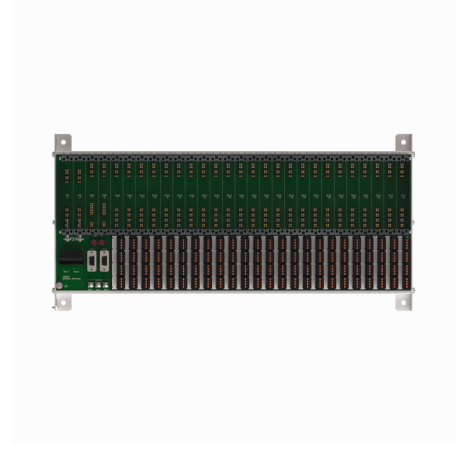
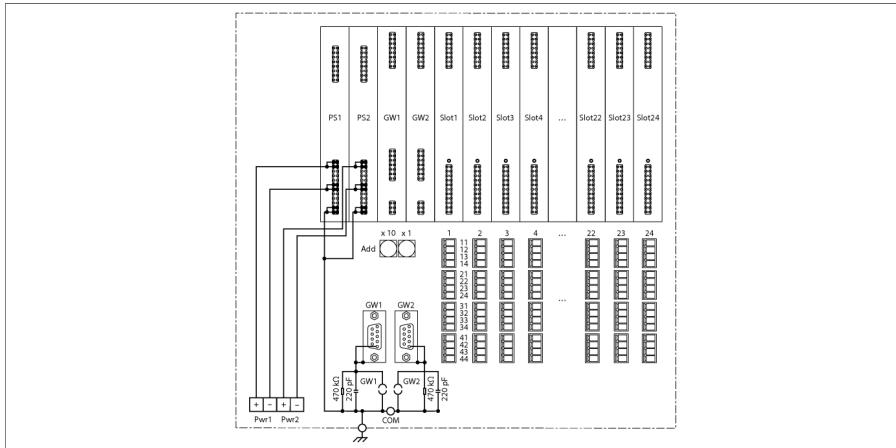


excom I/O System Module Rack, Non-Ex, for 24 Modules MT24-N



The module rack MT24-3G consists of a back-plane and the actual rack system. It can accommodate 2 gateways, 2 power supply units as well as 24 I/O modules. Up to 192 binary inputs/outputs or 96 analog inputs/outputs resp. a mix of both can be connected to it.

All modules can be plugged and unplugged under power without interrupting the data transmission. The same applies to redundant gateways and power supply modules.

The module rack can only be used in non-Ex areas for non-Ex signals.

The rack system is made of continuously cast aluminium. This ensures increased stability and shielding. The module rack is suited for wall and rack mounting.

- Module rack for max. 24 I/O modules, 2 gateways and 2 power supply modules
- The terminals for the signal connection level are available as accessories

Type	MT24-N
ID	9100683
Ex approval acc. to conformity certificate	IECEX TUR 21.0012X
Ex approval acc. to conformity certificate	TÜV 21 ATEX 8643 X
Device designation	II 3 G Ex ec IIC T4 Gc

Displays/Operating elements

Slots	
DC power supply	2
Gateway	2
Block I/O	24

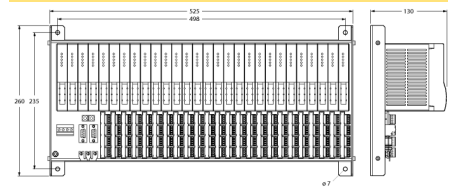
Terminal cross-section	1.5 mm ²
------------------------	---------------------

Electrical connection	4 × 4 clamps per module
Bus connection	2 x 9-pin SUB-D
Bus address	2 x decimal-coded rotary switches

Housing material	Aluminium, extrusion profile
Connection mode	Mounting panel
Protection class	IP20
Ambient temperature	-20...+70 °C
Relative humidity	≤ 93 % at 40 °C acc. to IEC 60068-2-78
Vibration test	Acc. to IEC 60068-2-6
Shock test	Acc. to IEC 60068-2-27
EMC	Acc. to EN 61326-1 Acc. to Namur NE21
MTTF	1211 years acc. to SN 29500 (Ed. 99) 40 °C
Dimensions	525 x 260 x 130 mm

Approvals	ATEX IECEX CE
-----------	---------------------

Dimensions



Accessories

Type code	Ident no.		Dimension drawing
BM-N	6884226	Dummy module for unused slots on the module rack, version N	