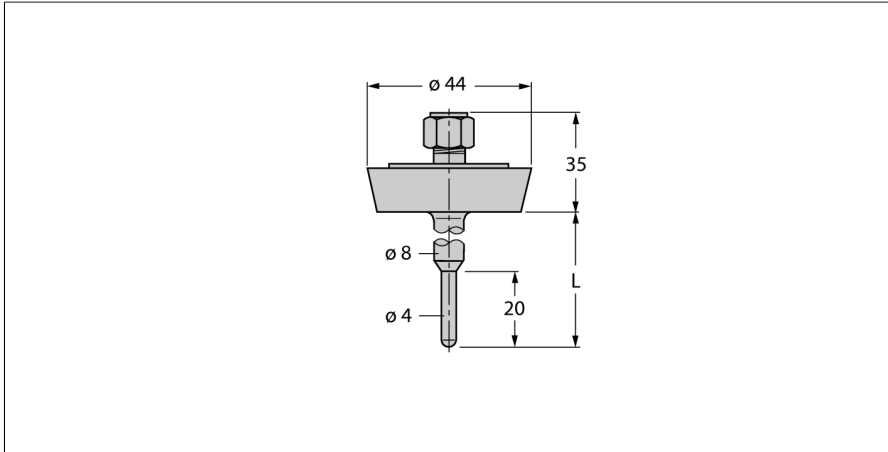


# Accessories

## Thermowell

### For Temperature Sensors

#### THW-3-DN25K-A4-L150



- Thermowell for mounting temperature probes
- End tip diameter 3 mm
- Process connection dairy screw connection DN25 acc. to DIN 11851
- Immersion depth 150 mm
- For use in food and pharmaceutical applications
- Surface roughness Ra > 0.8 µm
- For use in food and pharmaceutical applications
- Surface roughness Ra > 0.8 µm

**General description**

Thermowells are used for unpressurized mounting of probes. They protect the probes against direct contact with the medium. The probe can be replaced without interrupting the process.

Type	THW-3-DN25K-A4-L150
ID	9910457
<b>Temperature range</b>	
Measuring range	-50...350 °C
Measuring range	-58...662 °F
Immersion depth (L)	150 mm
Outer diameter	4 mm
<b>Mechanical data</b>	
Housing material	Stainless steel, 1.4404 (AISI 316L)
Internal diameter	3.1 mm
Process connection	Threaded tube connection per DIN11851
Pressure resistance	40 bar
Max. tightening torque of housing nut	100 Nm