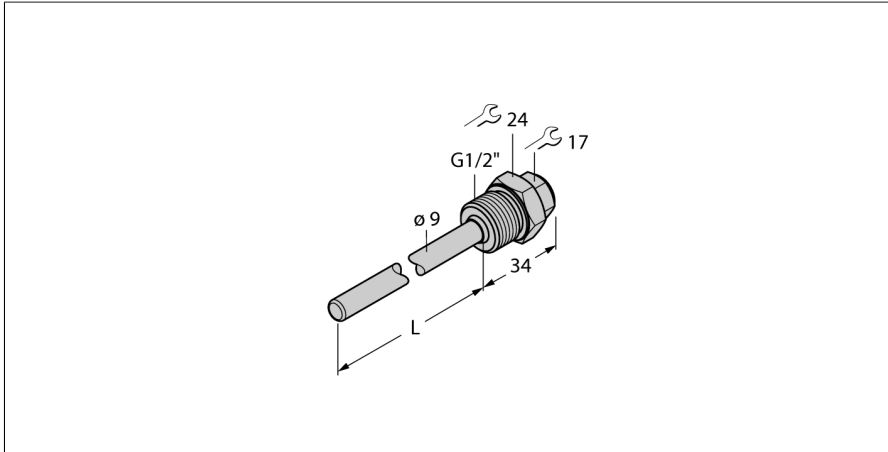


Accessories

Thermowell

For Temperature Sensors

THW-6-G1/2-A4-L100



Type	THW-6-G1/2-A4-L100
ID	9910460

Temperature range	
Measuring range	-50...350 °C
Measuring range	-58...662 °F
Immersion depth (L)	100 mm
Outer diameter	9 mm

Mechanical data	
Housing material	Stainless steel
Internal diameter	6.2 mm
Process connection	G 1/2" male thread
Pressure resistance	400 bar
Max. tightening torque of housing nut	100 Nm

- Thermowell for mounting temperature probes
- End tip diameter 6 mm
- Process connection G1/2" male thread
- Immersion depth 100 mm

General description

Thermowells protect the probes against aggressive substances and high pressures. The probes do not come into contact with any media. They can be replaced without interrupting the process.