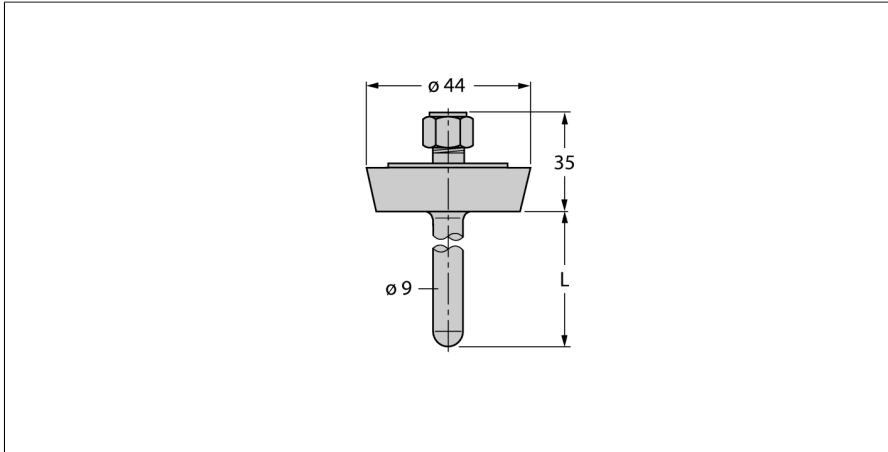


# Accessories

## Thermowell

### For Temperature Sensors

#### THW-6-DN25K-A4-L150



- Thermowell for mounting temperature probes
- End tip diameter 6 mm
- Process connection dairy screw connection DN25 acc. to DIN 11851
- Immersion depth 150 mm
- For use in food and pharmaceutical applications
- Surface roughness Ra > 0.8 µm

#### General description

Thermowells protect the probes against aggressive substances and high pressures. The probes do not come into contact with any media. They can be replaced without interrupting the process.

Type	THW-6-DN25K-A4-L150
ID	9910472

Temperature range	
Measuring range	-50...350 °C
Measuring range	-58...662 °F
Immersion depth (L)	150 mm
Outer diameter	9 mm

Mechanical data	
Housing material	Stainless steel
Internal diameter	6.2 mm
Process connection	Threaded tube connection per DIN11851
Pressure resistance	40 bar
Max. tightening torque of housing nut	100 Nm