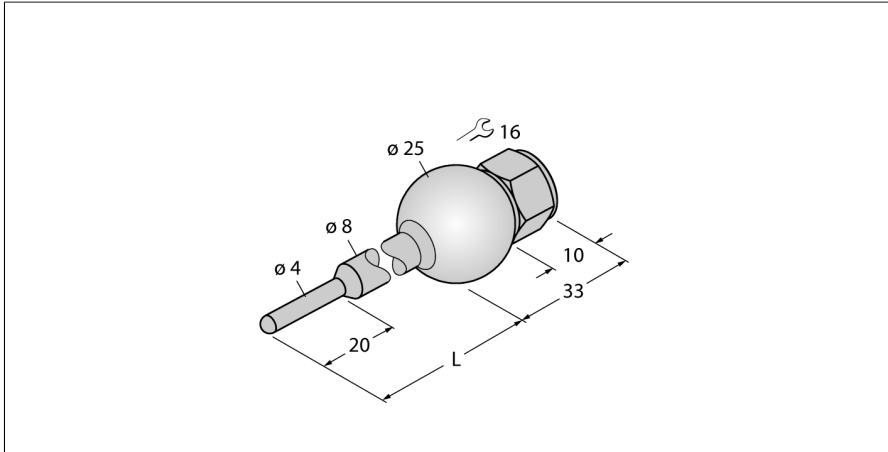


Accessories

Thermowell

For Temperature Sensors

THW-3-UNI25-A4-L035



- Thermowell for mounting temperature probes
- End tip diameter 3 mm
- Process connection weld-in ball Ø 25 mm
- Immersion depth 35 mm

General description

Thermowells are used for unpressurized mounting of probes. They protect the probes against direct contact with the medium. The probe can be replaced without interrupting the process.

Type	THW-3-UNI25-A4-L035
ID	9910502
Temperature range	
Immersion depth (L)	35 mm
Outer diameter	4 mm
Mechanical data	
Housing material	Stainless steel, 1.4404 (AISI 316L)
Internal diameter	3.1 mm
Process connection	Weld-in ball Ø 25 mm
Pressure resistance	400 bar
Max. tightening torque of housing nut	100 Nm