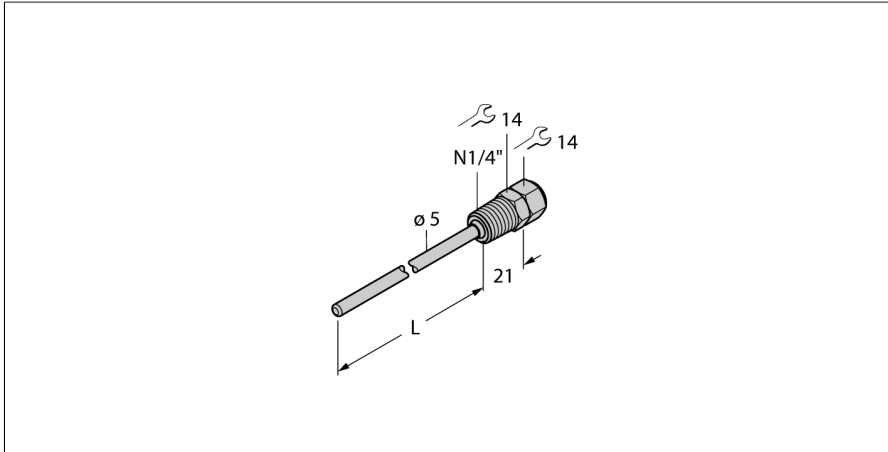


# Accessories

## Thermowell

### For Temperature Sensors

#### THW-3-N1/4-A4-L950



- Thermowell for mounting temperature probes
- End tip diameter 3 mm
- Process connection 1/4" NPT male thread
- Immersion depth 950 mm

**General description**

Thermowells are used for unpressurized mounting of probes. They protect the probes against direct contact with the medium. The probe can be replaced without interrupting the process.

Type	THW-3-N1/4-A4-L950
ID	9910515
<b>Temperature range</b>	
Immersion depth (L)	950 mm
Outer diameter	5 mm
<b>Mechanical data</b>	
Housing material	Stainless steel, 1.4404 (AISI 316L)
Internal diameter	3.1 mm
Process connection	1/4" NPT-18 male thread
Pressure resistance	400 bar
Max. tightening torque of housing nut	100 Nm