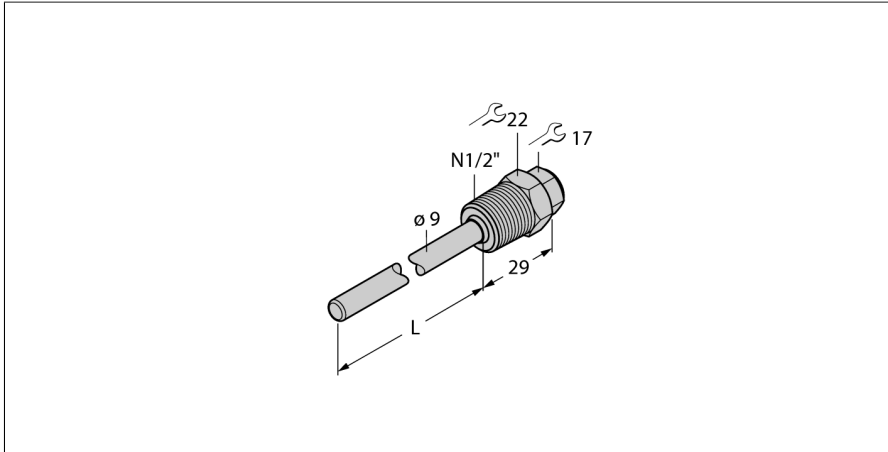


Accessories

Thermowell

For Temperature Sensors

THW-6-N1/2-A4-L200



- Thermowell for mounting temperature probes
- End tip diameter 6 mm
- Process connection 1/2" NPT male thread
- Immersion depth 200 mm

General description

Thermowells protect the probes against aggressive substances and high pressures. The probes do not come into contact with any media. They can be replaced without interrupting the process.

Type	THW-6-N1/2-A4-L200
ID	9910611

Temperature range	
Measuring range	-50...350 °C
Measuring range	-58...662 °F
Immersion depth (L)	200 mm
Outer diameter	9 mm

Mechanical data	
Housing material	Stainless steel
Internal diameter	6.2 mm
Process connection	1/2" NPT male thread
Pressure resistance	400 bar
Max. tightening torque of housing nut	100 Nm