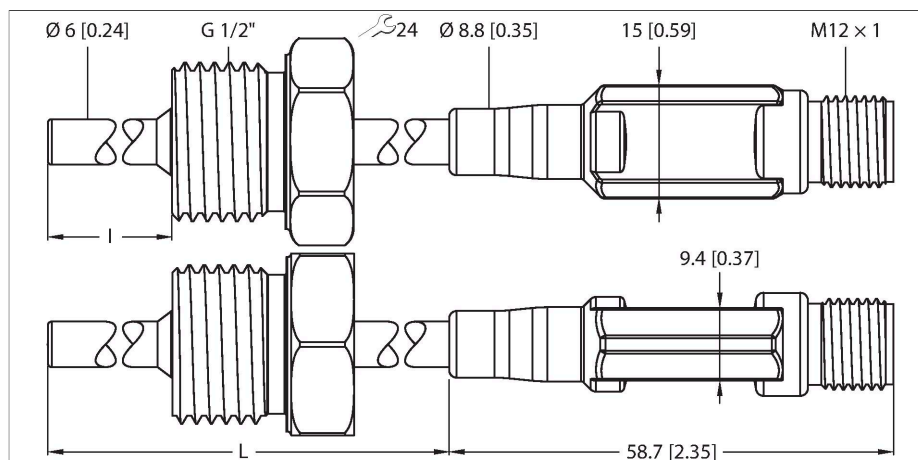


# TTM150C-206A-G1/2-LI6-H1140-L250-50/150C

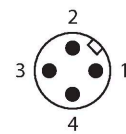
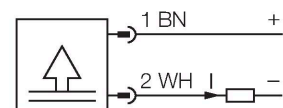
## Temperature Detection – With Current Output



### Features

- Miniature design
- Analog output 4...20 mA
- Factory setting -50...150 °C (other settings on request)
- Process connection G1/2" male thread
- Bendable probe (min. bending radius: 3x outer diameter; excluding 30-mm probe tip)

### Wiring diagram



### Technical data

Type	TTM150C-206A-G1/2-LI6-H1140-L250-50/150C
ID	9910736
<b>Temperature range</b>	
Measuring range	-50...150 °C
Measuring range	-58...302 °F
Note	Max. temperature of electronics: 80 °C/176 °F
Measuring element	Pt-1000 probe, DIN EN 60751, class A
Response time	$t_{05} = 1.5 \text{ s} / t_{09} = 6.0 \text{ s}$ in water @ 0.2 m/s
Bar length (L)	300 mm
Immersion length (l)	250 mm
Immersion depth (L)	250 mm
Outer diameter	6 mm
<b>Power supply</b>	
Operating voltage	5.5...32 VDC
Current consumption	≤ 20 mA
Short-circuit/reverse polarity protection	yes / yes
Protection type and class	IP67 / III
<b>Analog output</b>	
Current output	4...20 mA
Load	≤ 0.84 kΩ @24 0.84 kΩ @24 VDC [ $R_{\text{Load}} = (V_{\text{Supply}} - 5.5 \text{ V}) / 22 \text{ mA}$ ] kΩ
Accuracy (Lin. + Hys. + Rep.)	± 0.2 K
<b>Temperature behaviour</b>	
Temperature coefficient zero point $TK_0$	± 0.1 % of full scale/10 K
Temperature coefficient range $TK_s$	± 0.1 % of full scale/10 K

### Functional principle

The TTM miniature transmitters are available with integrated probe. Due to the integrated electronics, the limited temperature range must be observed, especially in the area of the M12 connector.

## Technical data

Environmental conditions	
Ambient temperature	-40...+80 °C
Storage temperature	-40...+80 °C
Mechanical data	
Housing material	Stainless-steel/Plastic, 1.4404 (AISI 316L)
Sensor material	Stainless steel, 1.4404 (AISI 316L)
Process connection	G 1/2" male thread
Pressure resistance	100 bar
Electrical connection	Connector, M12 × 1
Reference conditions acc. to IEC 61298-1	
Temperature	15...+25 °C
Atmospheric pressure	860...1060 hPa abs.
Humidity	45...75 % rel.
Auxiliary power	24 VDC
Tests/approvals	
MTTF	162 years acc. to SN 29500 (Ed. 99) 40 °C