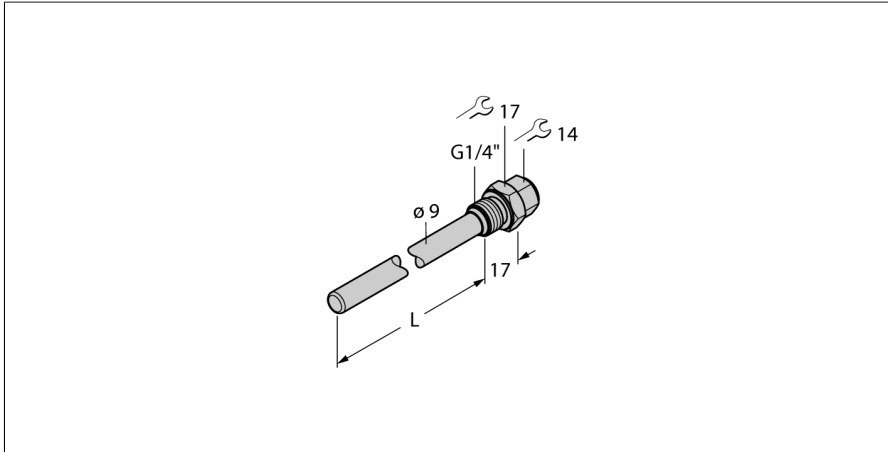


Accessories

Thermowell

For Temperature Sensors

THW-6-G1/4-A4-L150



- Thermowell for mounting temperature probes
- End tip diameter 6 mm
- Process connection G1/4" male thread
- Immersion depth 150 mm

General description

Thermowells protect the probes against aggressive substances and high pressures. The probes do not come into contact with any media. They can be replaced without interrupting the process.

Type	THW-6-G1/4-A4-L150
ID	9910763

Temperature range	
Measuring range	-50...350 °C
Measuring range	-58...662 °F
Immersion depth (L)	100 mm
Outer diameter	9 mm

Mechanical data	
Housing material	Stainless steel
Internal diameter	6.2 mm
Process connection	G 1/4" male thread
Pressure resistance	400 bar
Max. tightening torque of housing nut	100 Nm