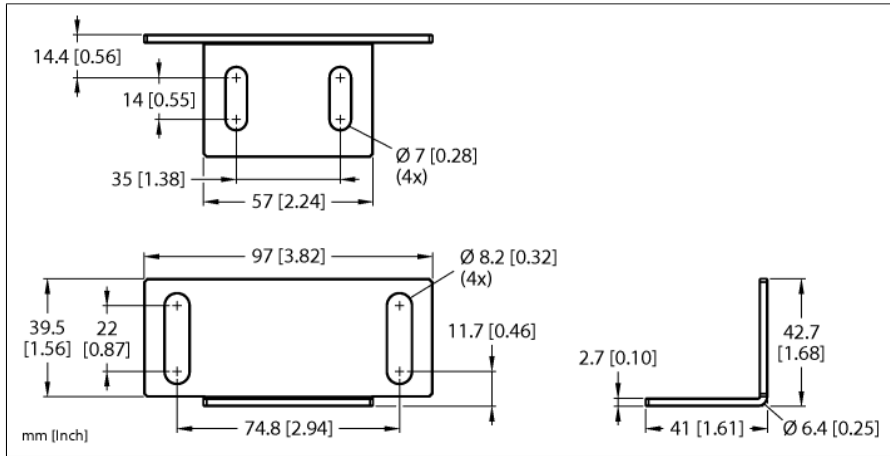


Accessories

Mounting Bracket

MB-Q130WD



- Mounting bracket for Q130WD sensors
- Stainless steel 1.4401 (AISI 316)

Type	MB-Q130WD
ID	A900166
Design	Accessories for rectangular sensor
Dimensions	97 x 41 x 42.7 mm
Housing material	Stainless steel, 1.4401 (AISI 316)