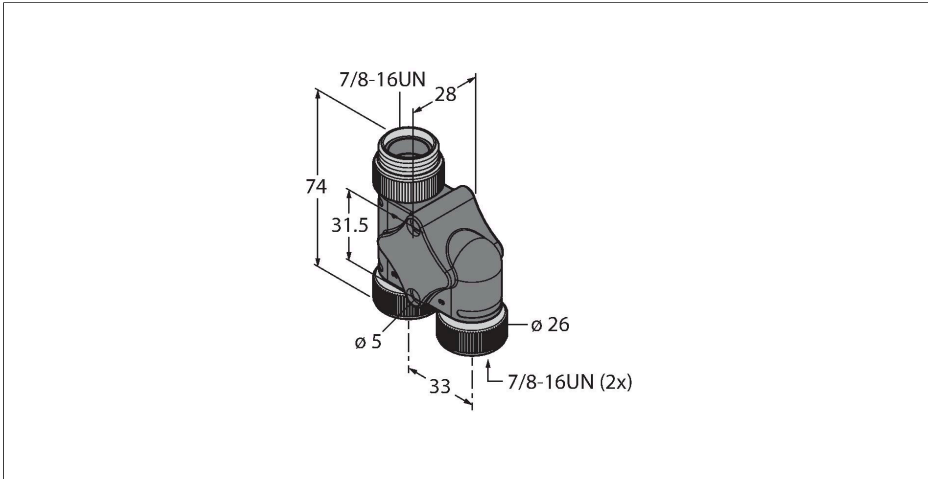


XSH-RSM-2RKM 20

2-Way Splitter – h-Splitter

2-Wire



Features

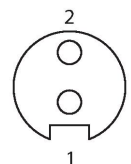
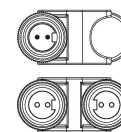


- 7/8" connector
- Male – 2 x female, 2-pin
- Wired in parallel
- cULus listed
- RoHS-compliant
- Protection class: NEMA 1, 3, 4, 6P and IEC IP67
- 7/8" male connector, straight, 2-pin
- 2 x 7/8" female connector, straight, 2-pin

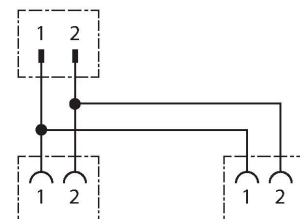
Contact assignment

Connector B (J1-2)

Connector A



Circuit Diagram



Technical data

Type	XSH-RSM-2RKM 20
ID	U2-23664
Distributed I/O	h-splitter, 2 -port
Housing	Plastic, TPU, Black
Connector A	Male, 7/8"-16 UN
Number of Pins	2
Contacts	Brass, CuZn, Gold-plated
Contact carriers	Plastic, TPU, Black
Coupling nut/screw	Brass, CuZn, Nickel-plated
Mechanical lifespan	> 100 Mating cycles
Pollution degree	3
Protection class	IP67, Only in screwed condition
	NEMA: 1, 3, 4, 6P
Connector B	Female, 7/8"-16 UN
Number of pins	2
Contacts	Brass, CuZn, Gold-plated
Contact carriers	Plastic, TPU, Black
Coupling nut/retaining screw	Brass, CuZn, Nickel-plated
Seal	Plastic
Mechanical life	> 100 Mating cycles
Pollution degree	3
Protection class	IP67, Only when screwed together
	NEMA: 1, 3, 4, 6P
Electrical properties at +20 °C	
Rated voltage	600 V

Technical data

Current	9 A
Insulation resistance	$\geq 10^8 \Omega$
forward resistance	$\leq 5 \text{ m}\Omega$
Mechanical and chemical properties	
Ambient temperature range (stationary)	-40...+105 °C
Ambient temperature range (In motion)	-40...+105 °C
Approvals	RoHS UL Listed CE
Note	
- We reserve the right to make technical modifications without prior notice.	