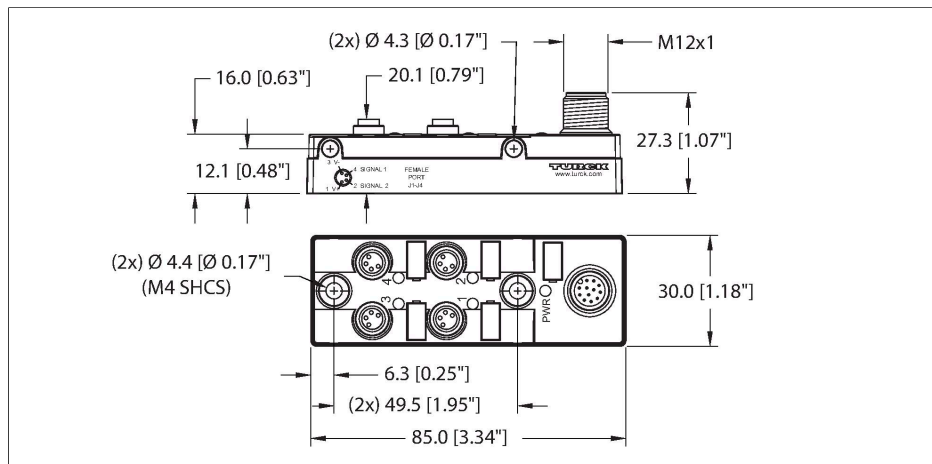


TB-4M8Z-4-FS12

Passive Actuator/Sensor Junction Box, 4 Ports – Ø 8 mm, I/O Port with M12 Male Connector for the Supply Cable



Technical data

Type	TB-4M8Z-4-FS12
ID	U2-28311
Distributed I/O	Junction box, 4, With a permanently installed M12 male connector
Housing	Plastic, PA 6 GF30, Black
I/O port	Female, Ø 8 mm
Design specification	acc. to IEC 61076-2-104
Number of Pins	4
Contacts	Brass, CuZn, Gold-plated
Contact carriers	Plastic, PA 6 GF15, Black
Seal	O ring, Plastic, FKM/FPM
Mechanical lifespan	> 100 Mating cycles
Pollution degree	3
Protection class	IP67
	NEMA: 1, 3, 4, 6P
Group terminal	Connectors, M12 × 1, Top output, A-coded
Design specification	acc. to IEC 61076-2-101
Number of pins	12
Contacts	Brass, CuZn, Gold-plated
Contact carriers	Plastic, PA 4.6, Black
Tightening torque	0.8 ... 1 Nm (Observe max. value of counterpart!)
Mechanical life	> 100 Mating cycles
Pollution degree	3
Protection class	IP67, IP68, IP69, IP69K
	NEMA: 1, 3, 4, 6P

Features



- Housing material: Nylon
- Housing color: black
- Protection class IP67
- RoHS conform
- cULus listed
- I/O port (number of pins): 3-pin + PE

Contact assignment

I/O connector Permanently installed male connector



Technical data

Electrical properties at +20 °C

Rated voltage	30 VAC/DC
Current	2 A per contact, total current 2 A4-A total current when using additional power connections (pins 11[v-], 12[v+])

Mechanical and chemical properties

Ambient temperature range (stationary)	-40 °C...+85 °C
Approvals	CE RoHS

Note

- We reserve the right to make technical modifications without prior notice.

Scope of delivery

Device	Quantity	Description
Junction boxes	1	Passive actuator/sensor junction box
VS-M12-BK	2	Closure caps for M12 female connectors
KS9/20	5	Labels

Accessories

Ident-No.	Designation	Description
6900197	CK12-0	Field-wireable female M23, 12-pin, straight
6931889	CS12-0	Field-wireable male M23, 12-pin, straight
6931780	CKCM12-11-5/S90	Connection cable, M23 female, straight, 12-pin, 5 m*
6931781	CKCM12-11-10/S90	Connection cable, M23 female, straight, 12-pin, 10 m*
6931885	CKCWM12-11-5/S90	Connection cable, M23 female, angled, 12-pin, 5 m*
6931886	CKCWM12-11-10/S90	Connection cable, M23 female, angled, 12-pin, 10 m*
6931782	CSCM-CK-CM12-11-5/S90	Extension cable, male M23 - female M23, straight, 12-pin, 5 m *
6931783	CSCM-CK-CM12-11-10/S90	Extension cable, male M23 - female M23, straight, 12-pin, 10 m *
6931887	CSCM-CK-CWM12-11-5/S90	Extension cable, male M23 straight - female M23 angled, 12-pin, 5 m *
6931888	CSCM-CK-CWM12-11-10/S90	Extension cable, male M23 straight - female M23 angled, 12-pin, 10 m *
6625616	RKC5T-2-RSC5T/TXL	Actuator/sensor cable, female M12 - male M12, straight, 5-pin, 2 m *
6936055	VS-M12-BK	Closure caps for M12 female connectors
8015002	KS9/20	Labels

* Other lengths available on request

Circuit Diagram

