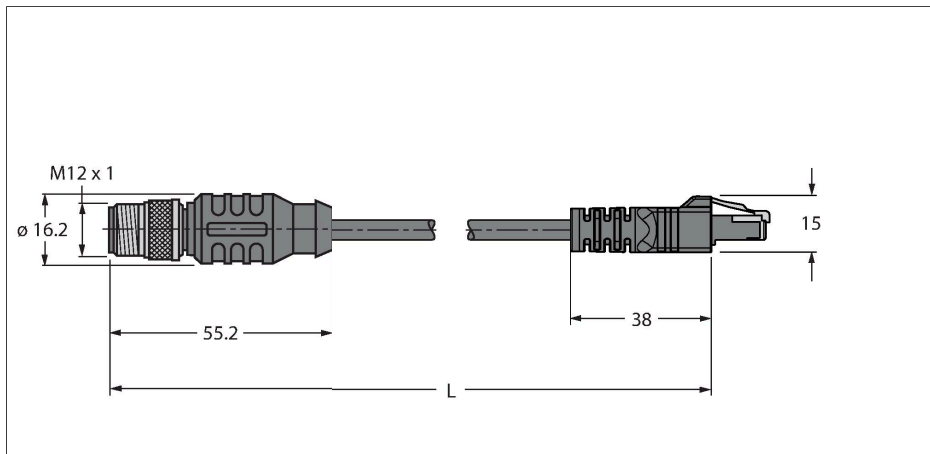


RSS RJ45S 841-4M

Industrial Ethernet Cable – Extension Cable



Features

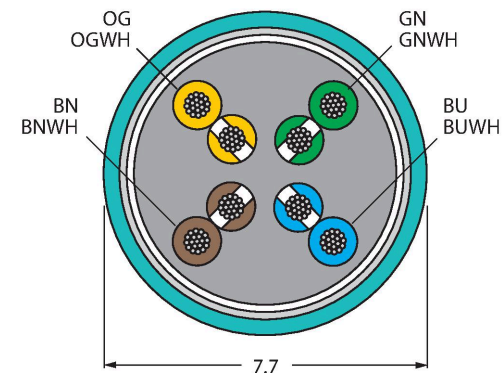


- Ethernet cable: 8-pin, AWG 24, shielded
- Jacket material: TPE, color: green
- Jacket diameter: 7.7 mm
- Suitable for drag chain use
- UL approval
- RJ45 male connector, straight, 8-pin
- M12 male, straight, 8-pin
- Cable length: 4.0 m

Technical data

| | |
|---------------------------|--|
| Type | RSS RJ45S 841-4M |
| ID | U8626-4 |
| Connector A | Male, M12 × 1, Straight, A-coded |
| Number of Pins | 8 |
| Contacts | Metal, CuZn, Gold-plated |
| Contact carriers | Plastic, TPU, Black |
| Connector body | Plastic, TPU, Black |
| Coupling nut/screw | Brass, CuZn, Nickel-plated |
| Tightening torque (range) | 0.8 ... 1 Nm (observe max. torque of mating connector!) |
| Mechanical lifespan | > 100 Mating cycles |
| Pollution degree | 3 |
| Protection class | IP67, Only in screwed condition |
| Connector B | Male, RJ45, Straight |
| Number of pins | 8 |
| Contacts | Metal, CuSn, Gold-plated |
| Contact carriers | Plastic, PC, Transparent |
| Connector body | Plastic, TPU, Black |
| Protection class | IP20 |
| Cable | |
| Network protocol | Ethernet, 841 |
| Cable diameter | Ø 7.7 mm |
| Cable length | 4 m |
| Cable jacket | TPE, Green |
| Shielding | yes |
| Core insulation | PE |
| Core cross-section | 8 x 0.21 mm ² |

Cable Cross-Section



Contact assignment



Technical data

Core colors WH/BU, WH/BN, BN, OG, WH/GN, WH/OG, BU, GN

Electrical properties at +20 °C

| | |
|----------------------|---------------|
| Rated voltage | 60 V |
| Current | 2 A |
| DC resistance (loop) | 94 Ω/km |
| Nom. impedance | 100 Ω (1 MHz) |
| Nom. capacitance | 46 pF/m |

Mechanical and chemical properties

| | |
|--|--------------|
| Bending radius (flexible use) | ≥ 10 x Ø |
| Bending cycles | ≥ 1 million |
| Ambient temperature range (stationary) | -40...+80 °C |
| Ambient temperature range (In motion) | -40...+80 °C |

Other Features

| | |
|------------------------------|-----|
| Qualified for drag chain use | yes |
| UV resistance | yes |
| Oil-resistant | yes |
| Approvals | UL |

Note

- We reserve the right to make technical modifications without prior notice.